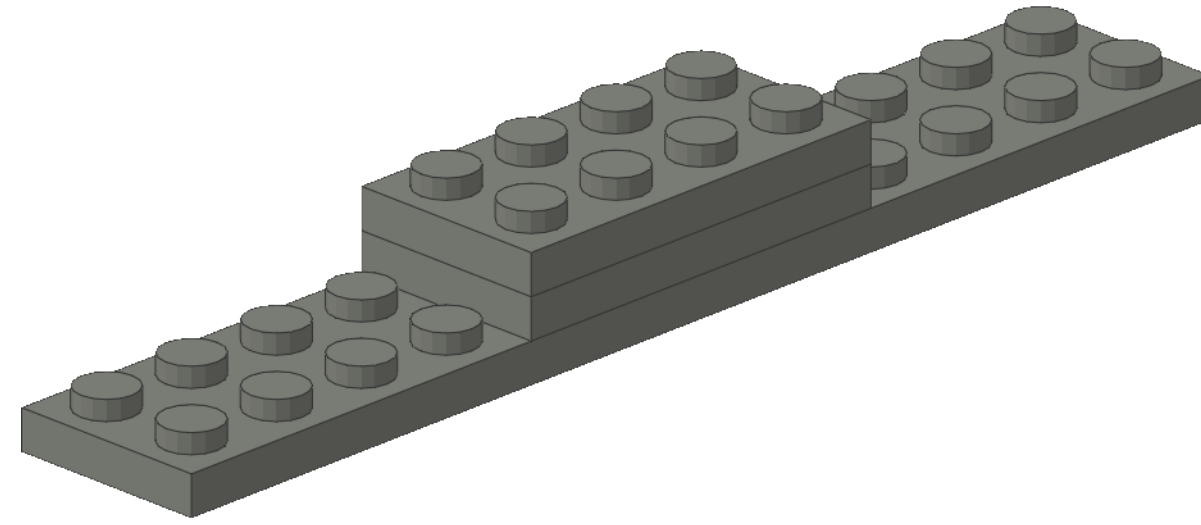
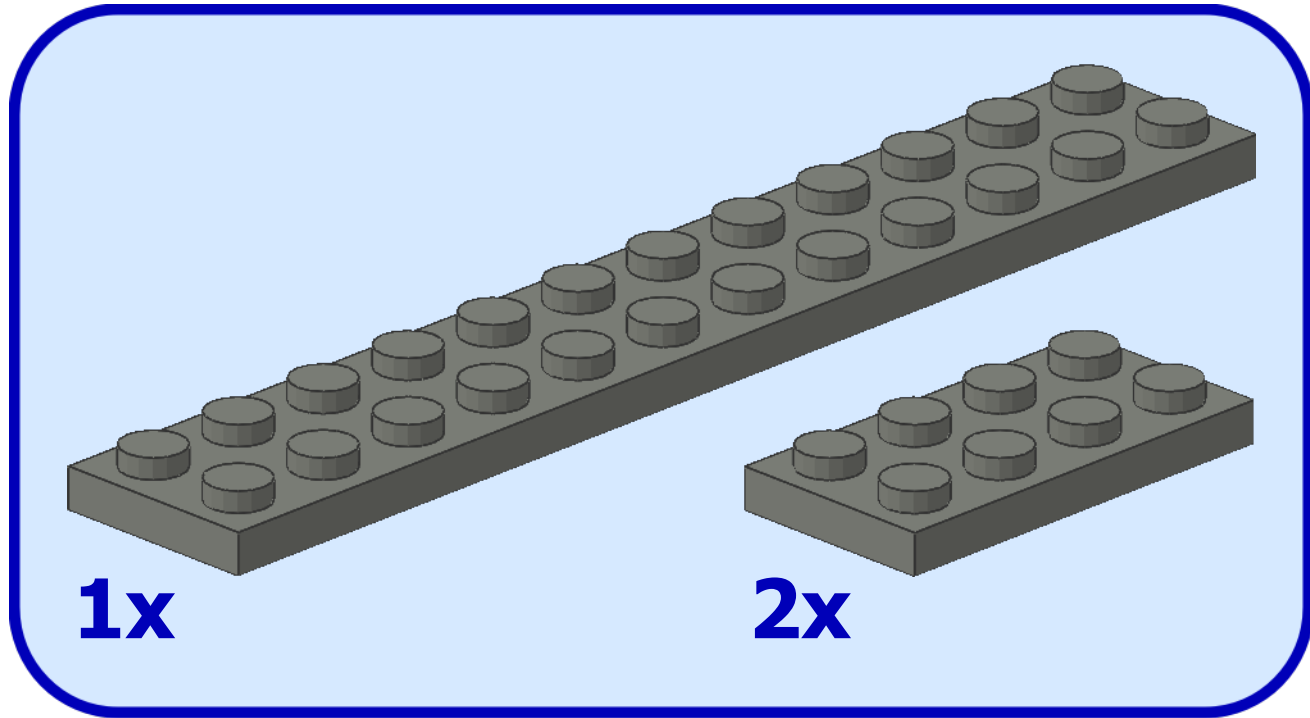


8-Wheel Coal Hopper

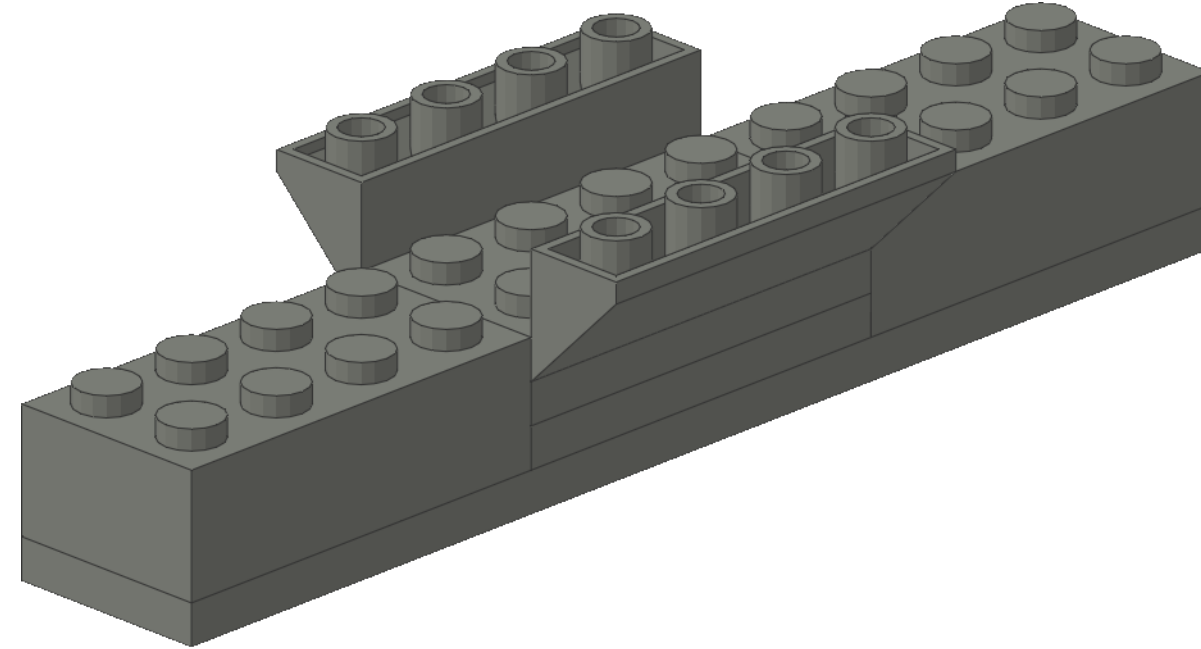
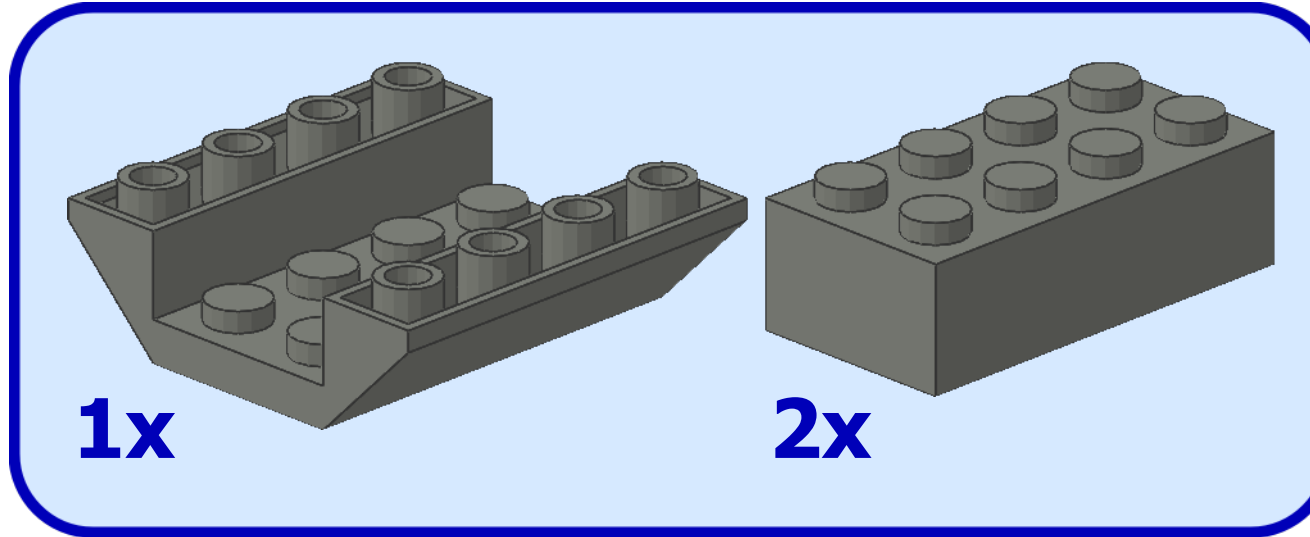


253 Pieces

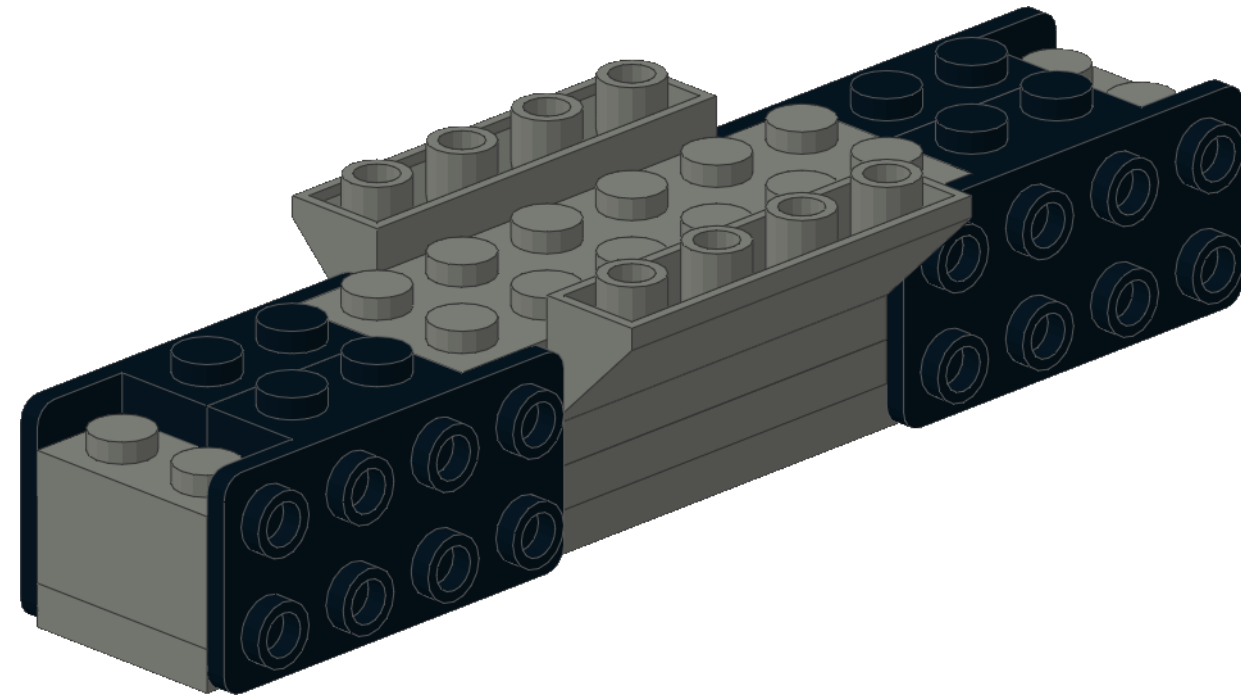
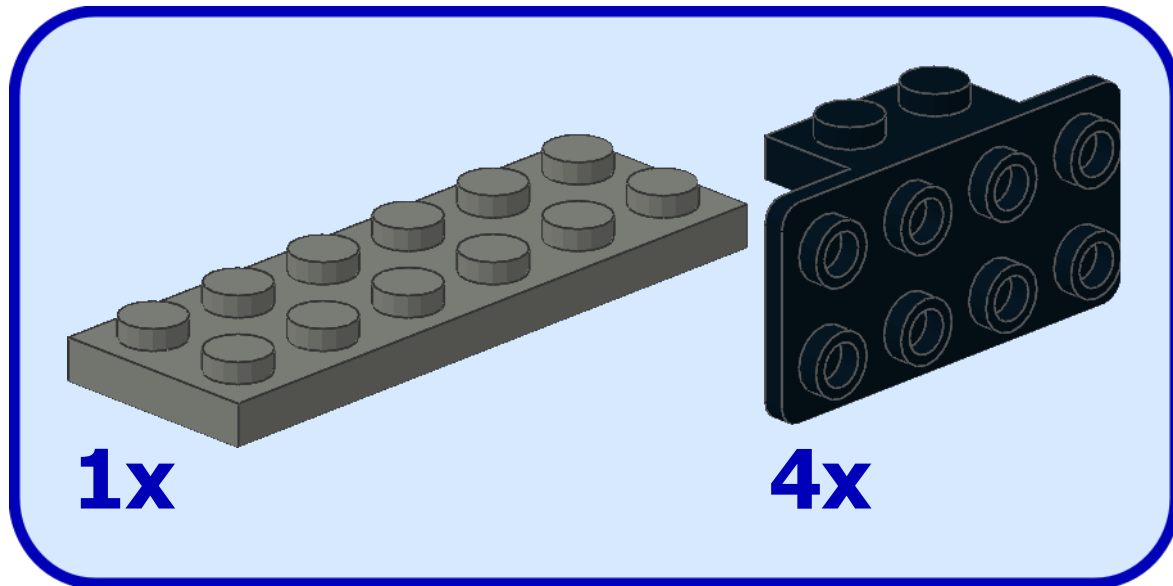
1



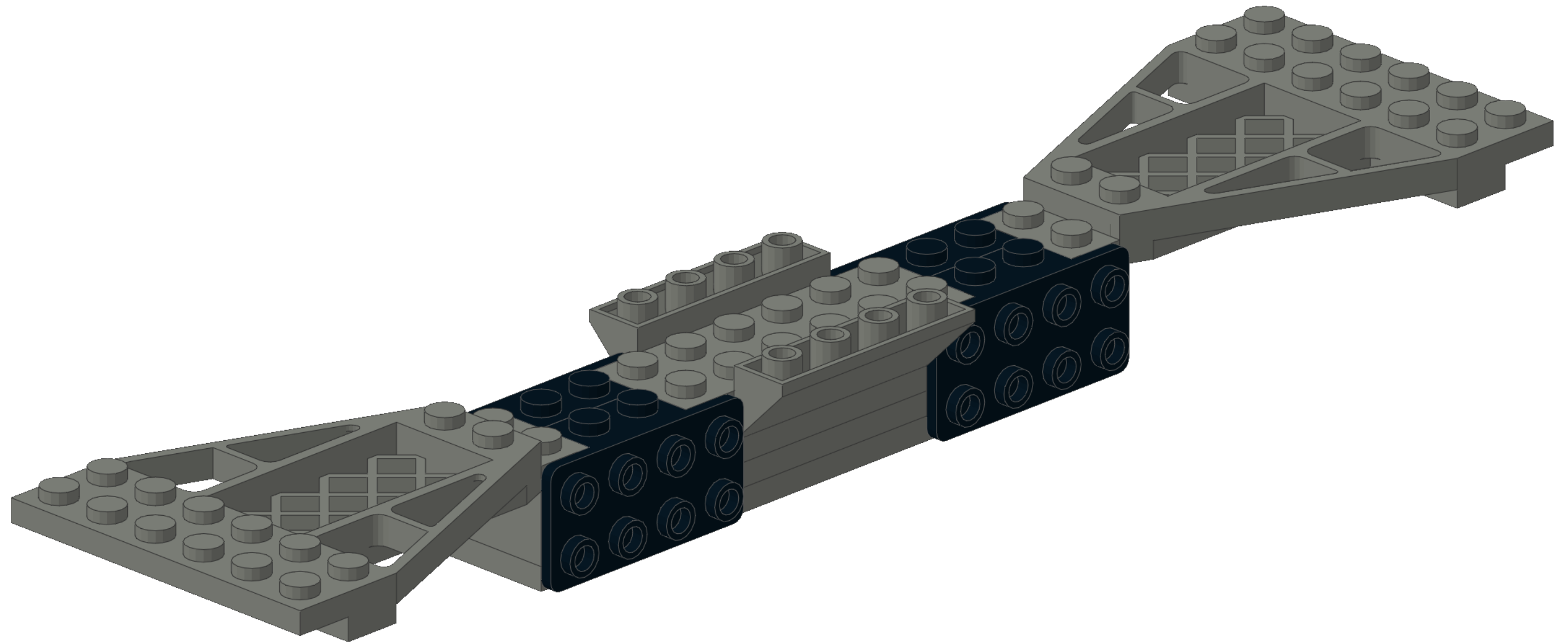
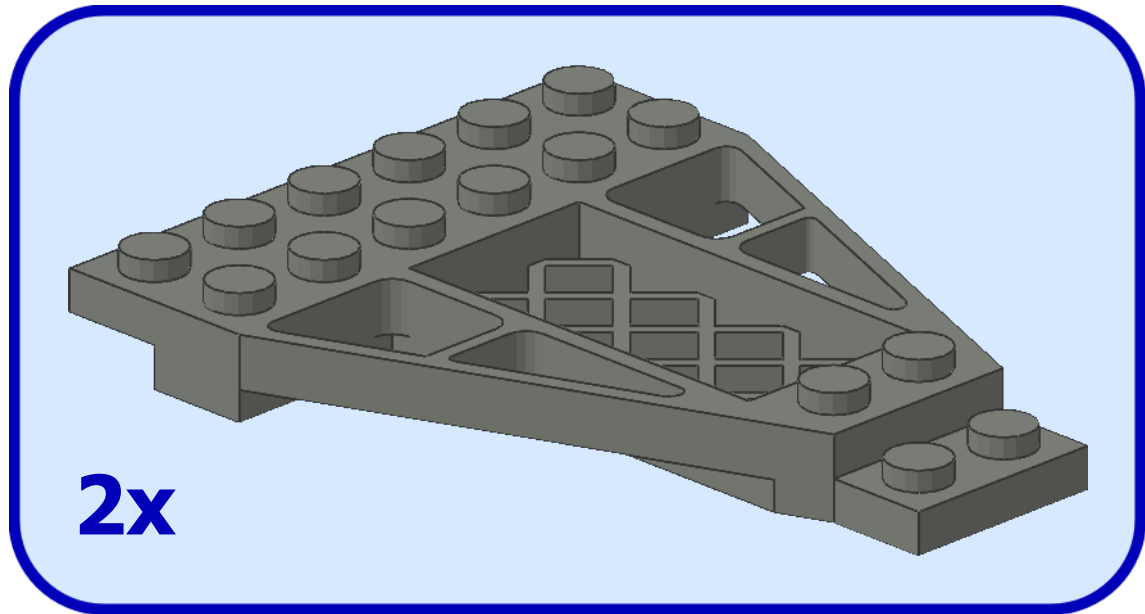
2



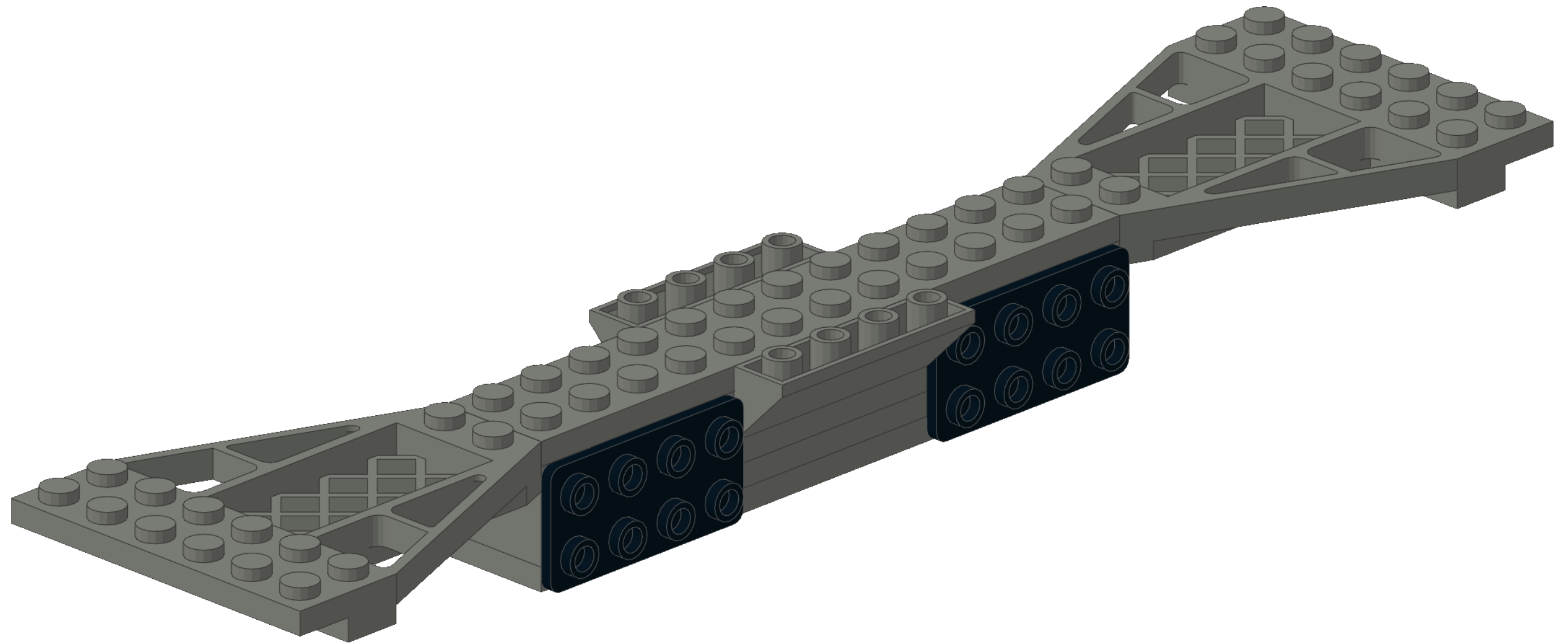
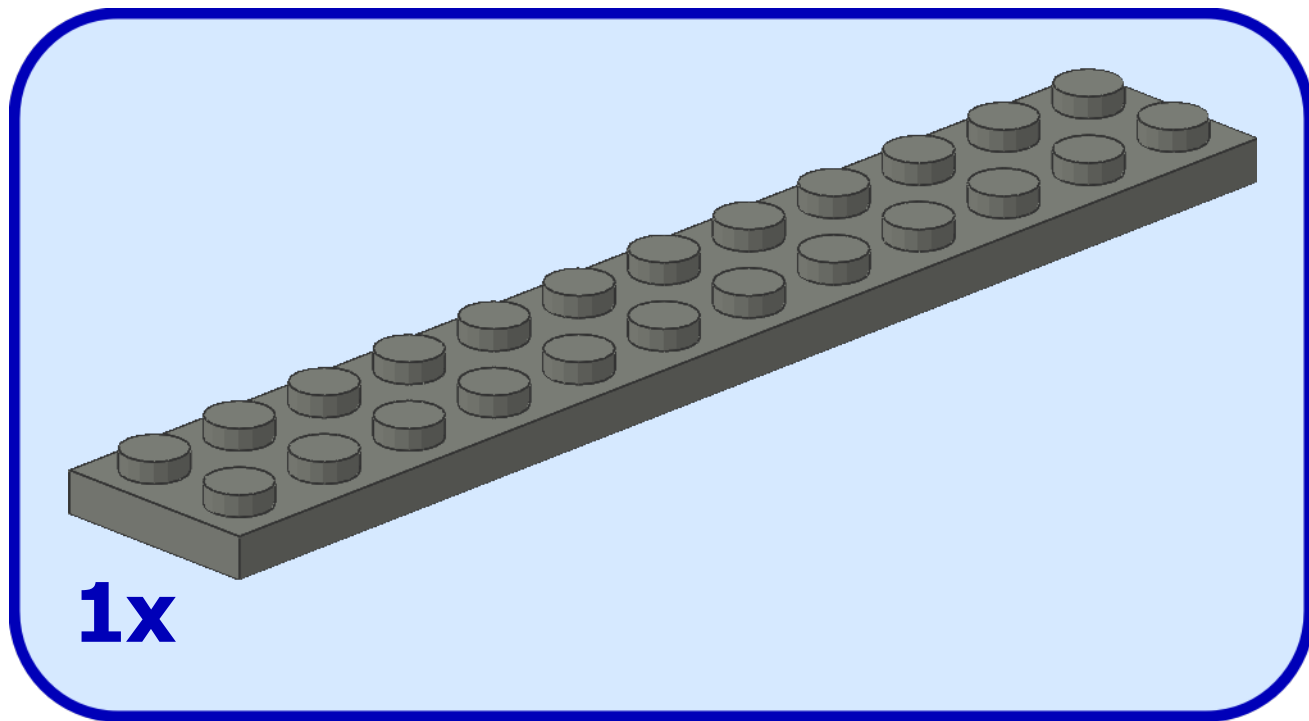
3



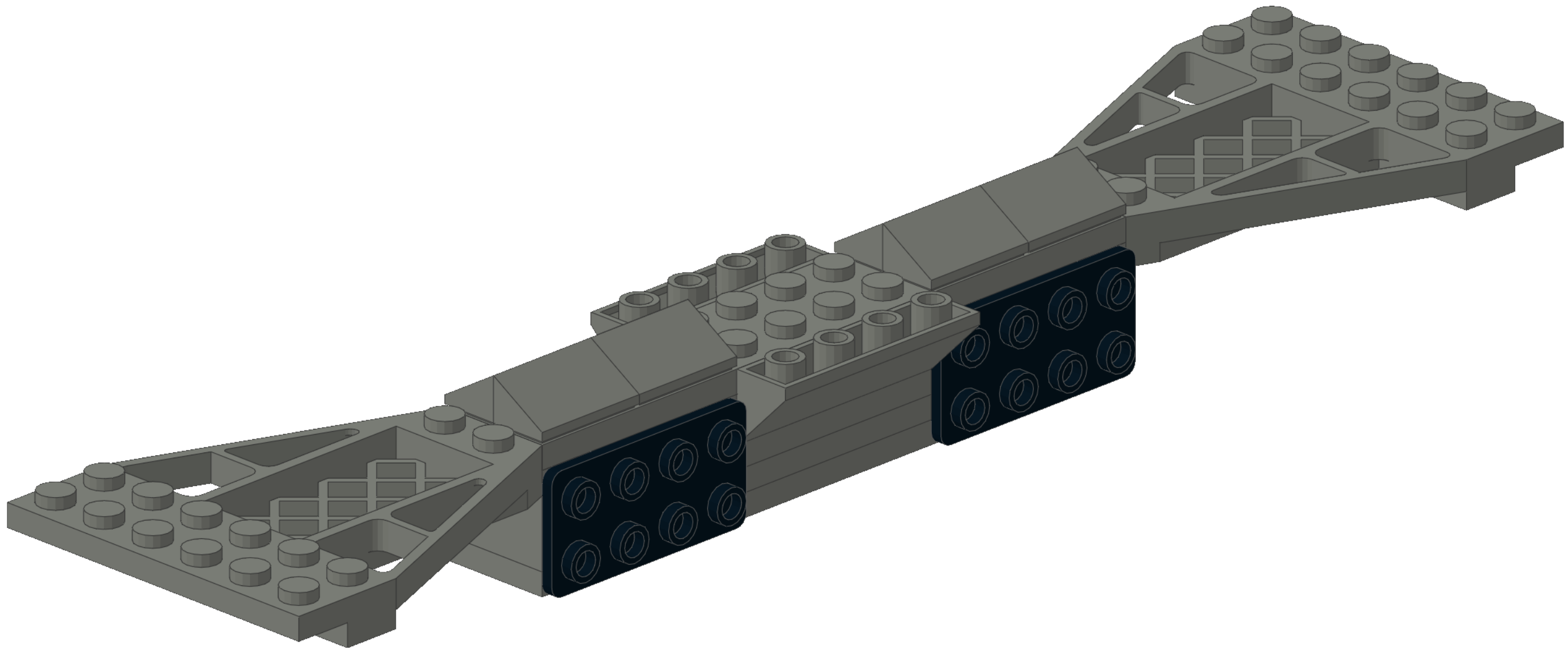
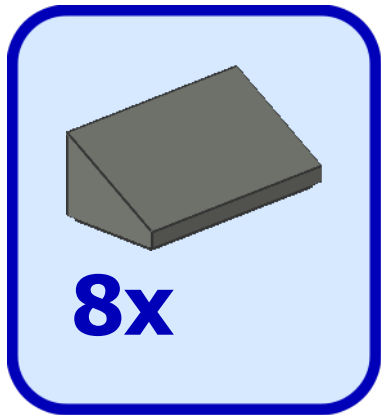
4



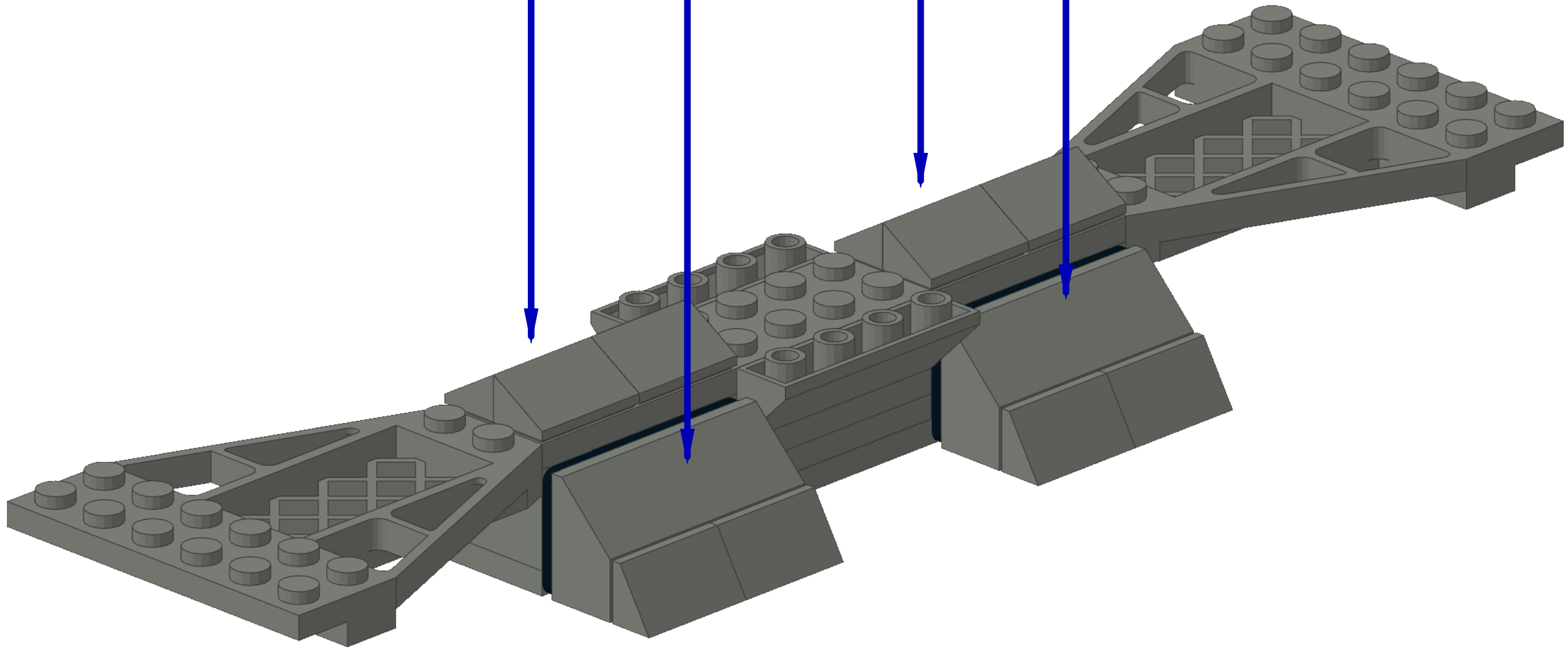
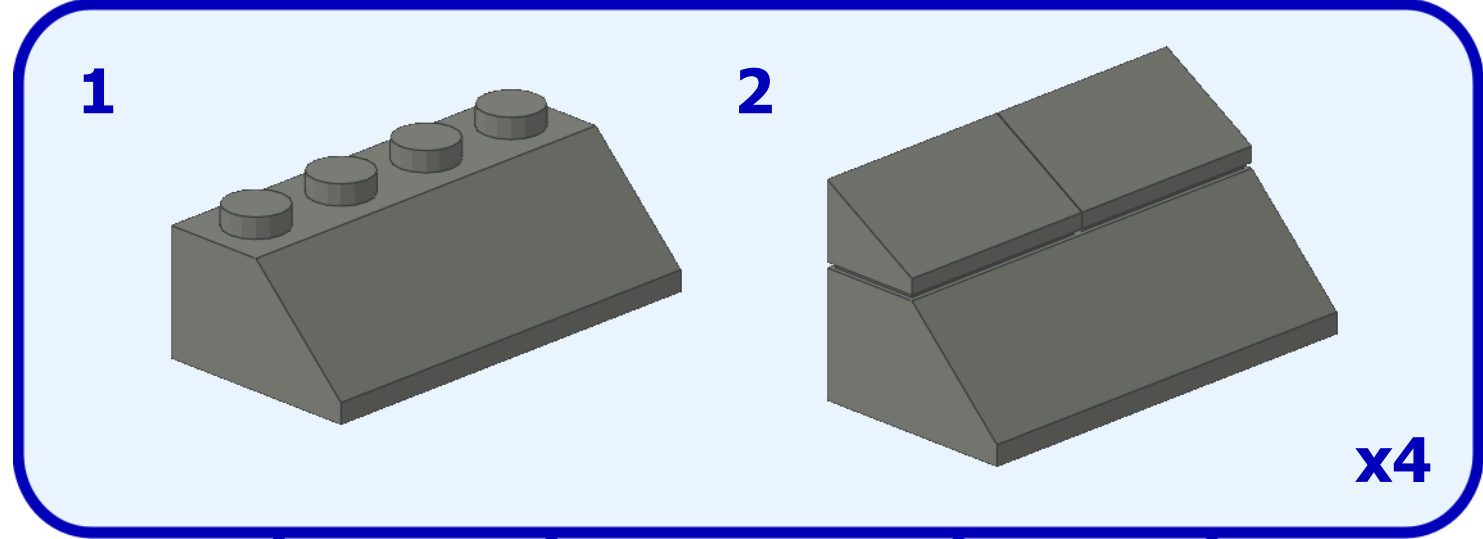
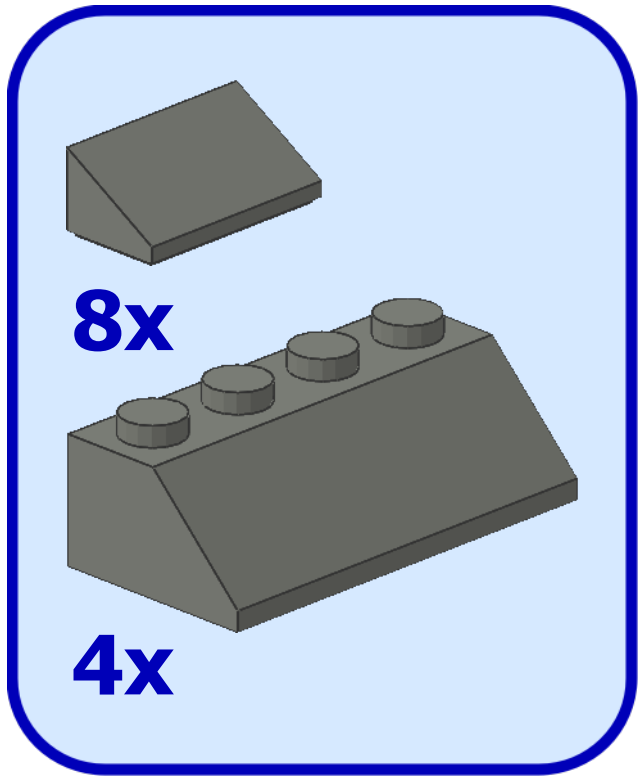
5

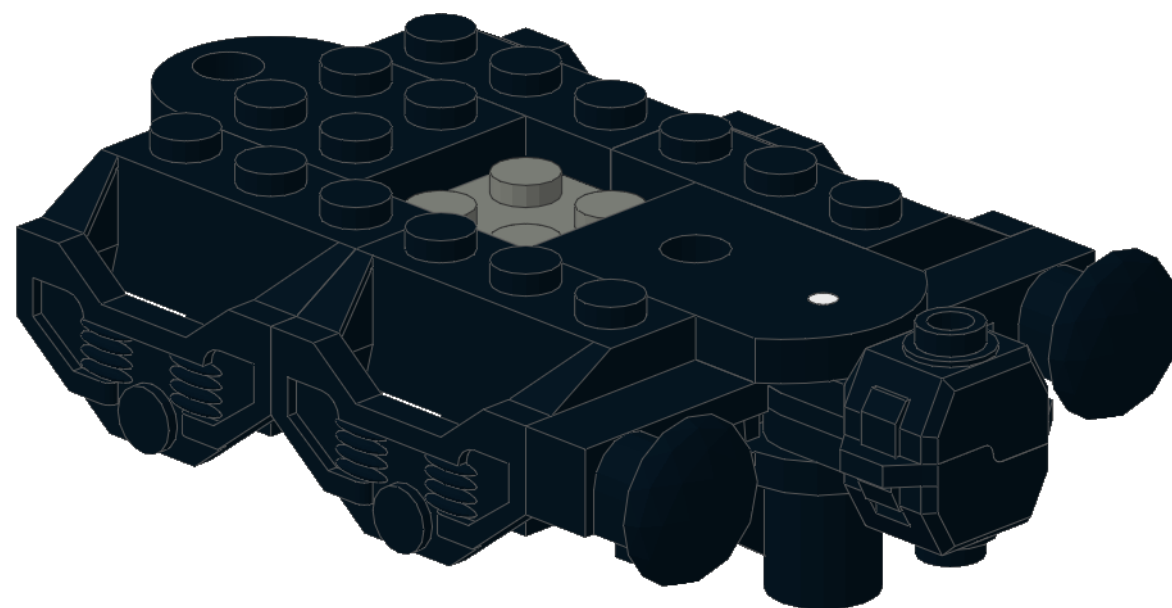
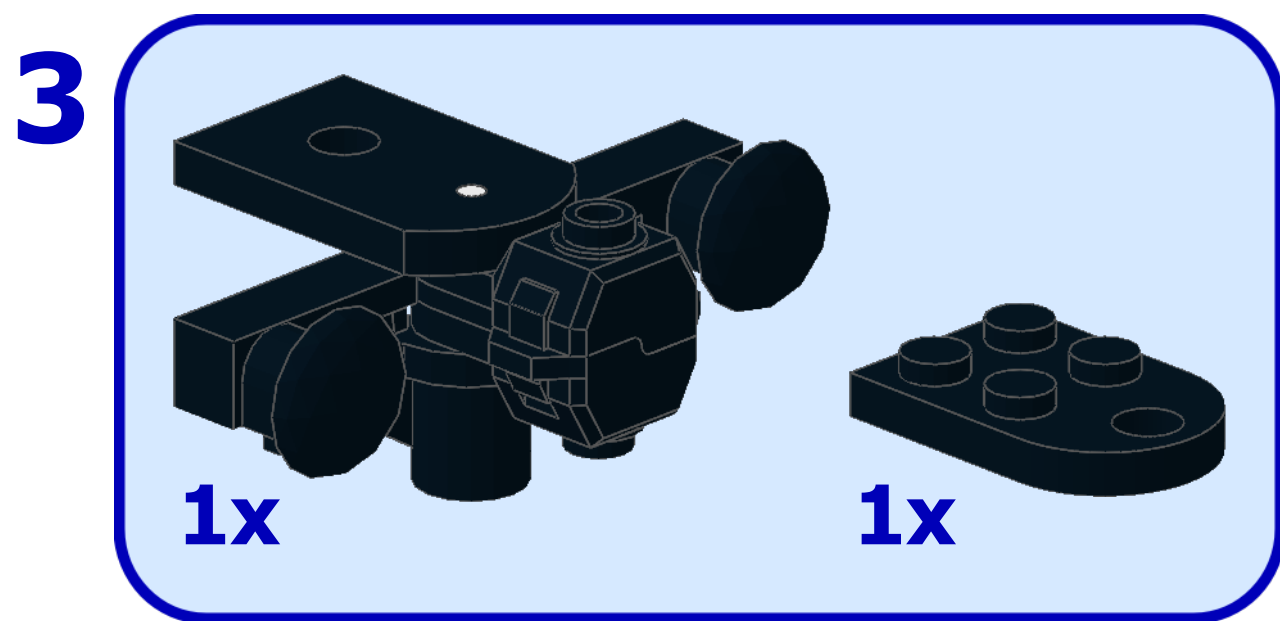
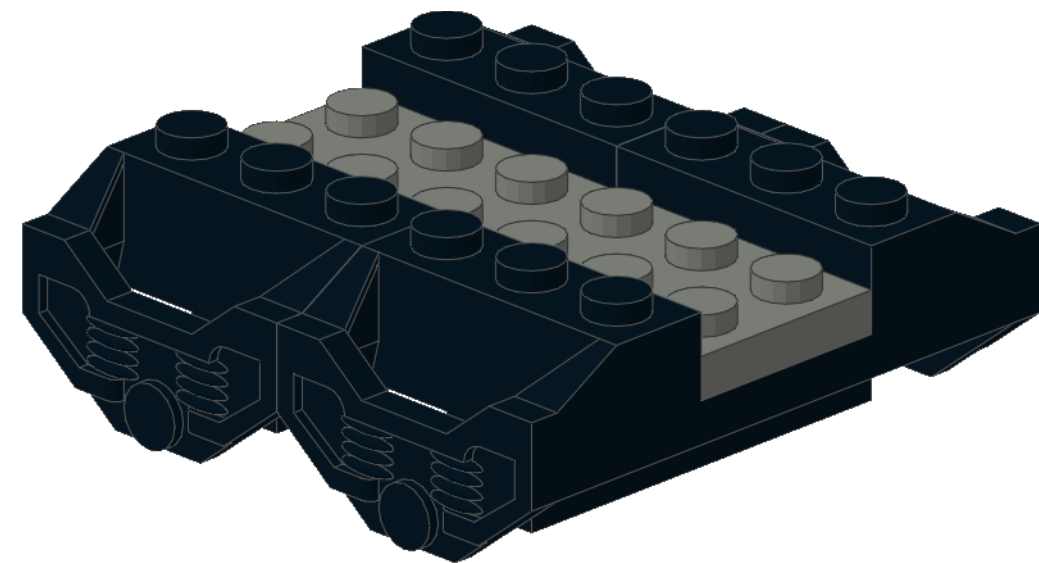
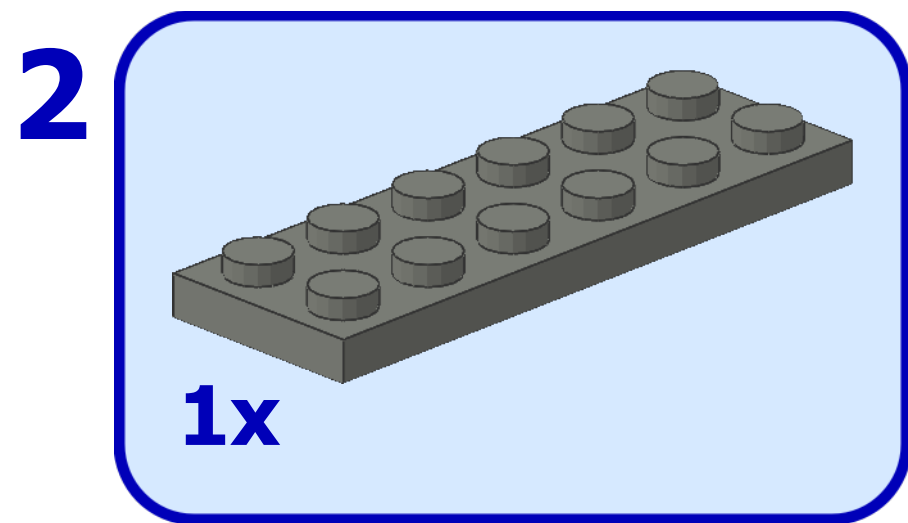
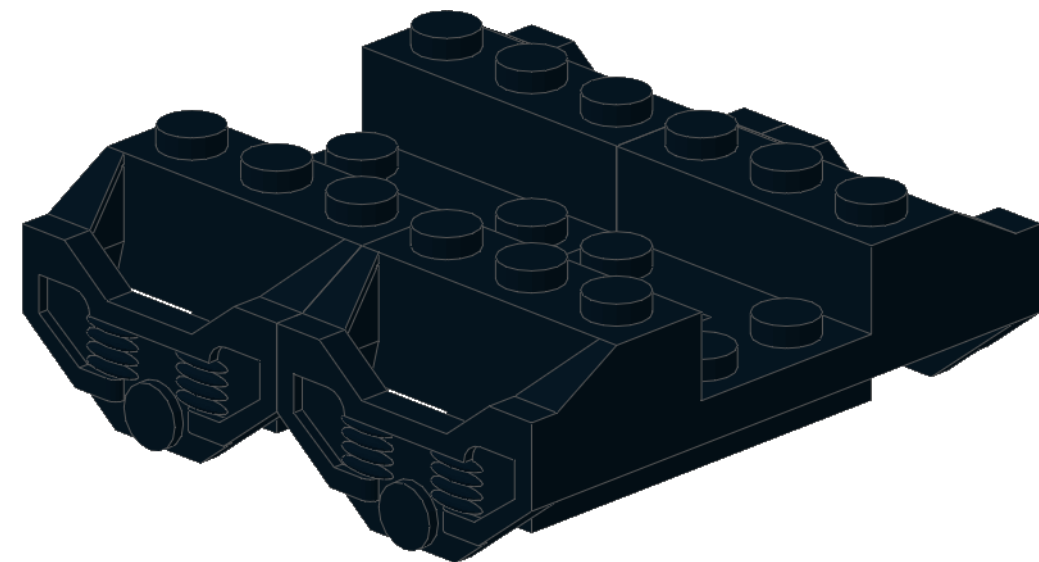
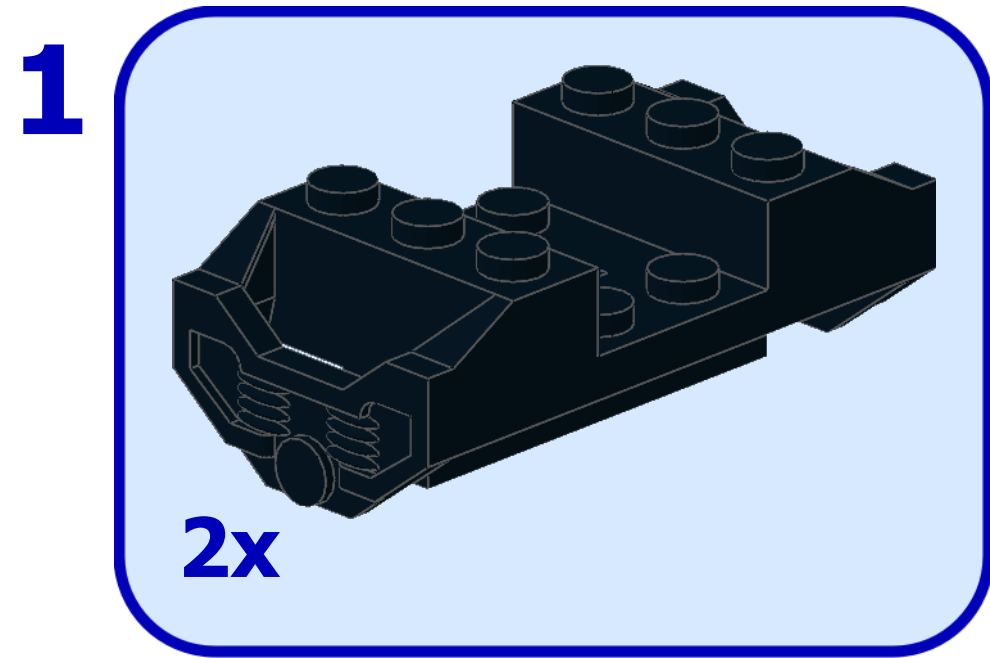


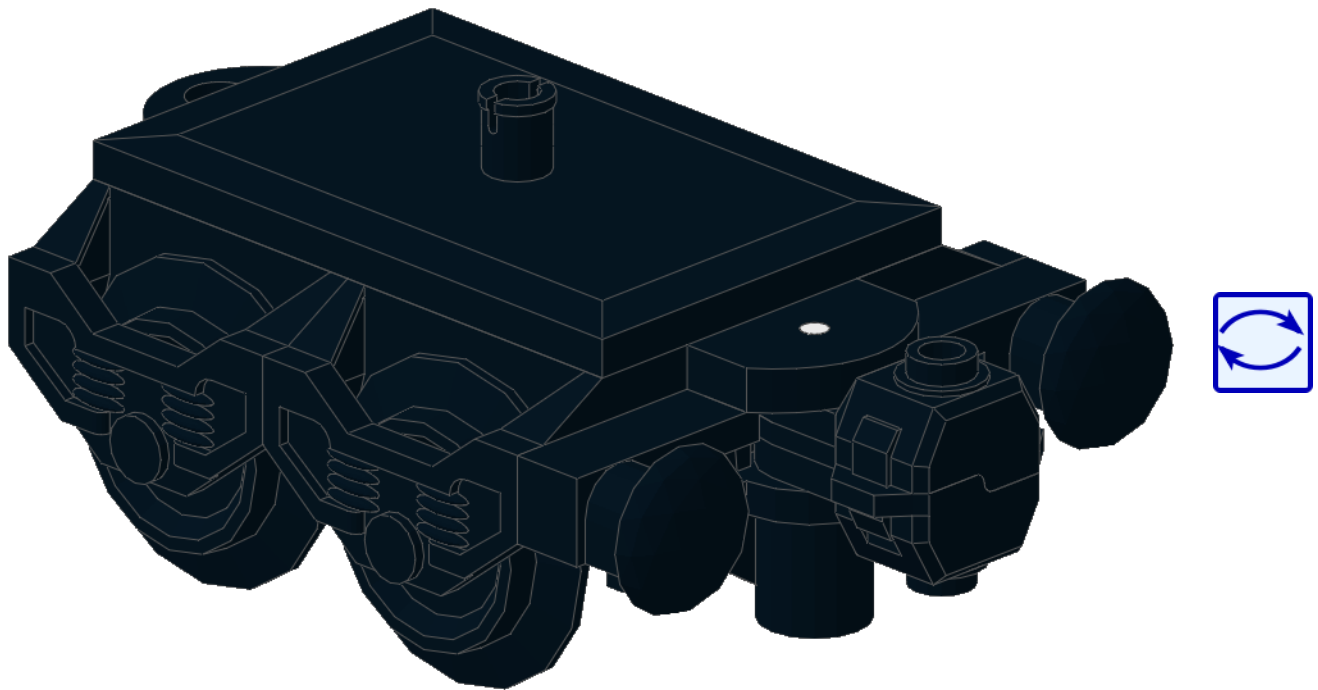
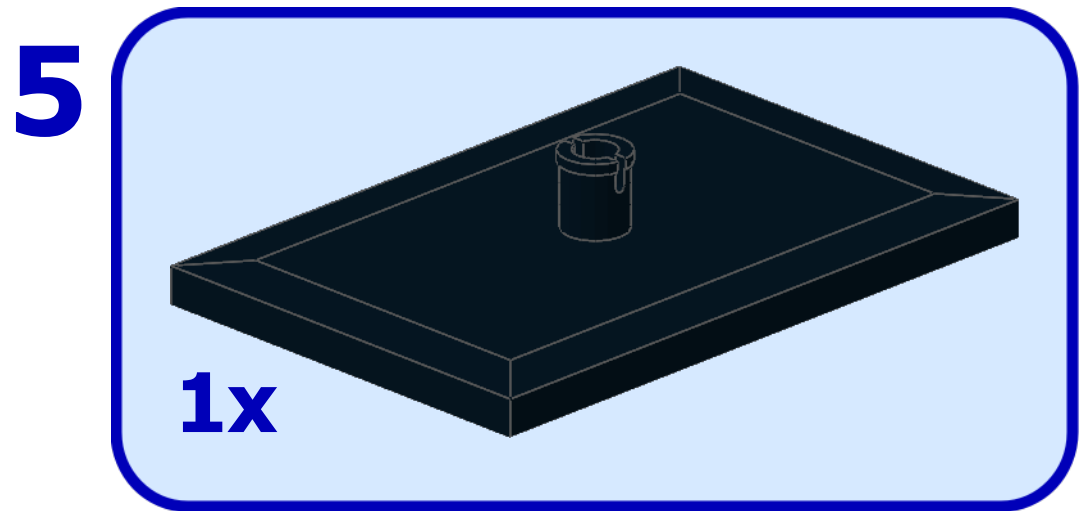
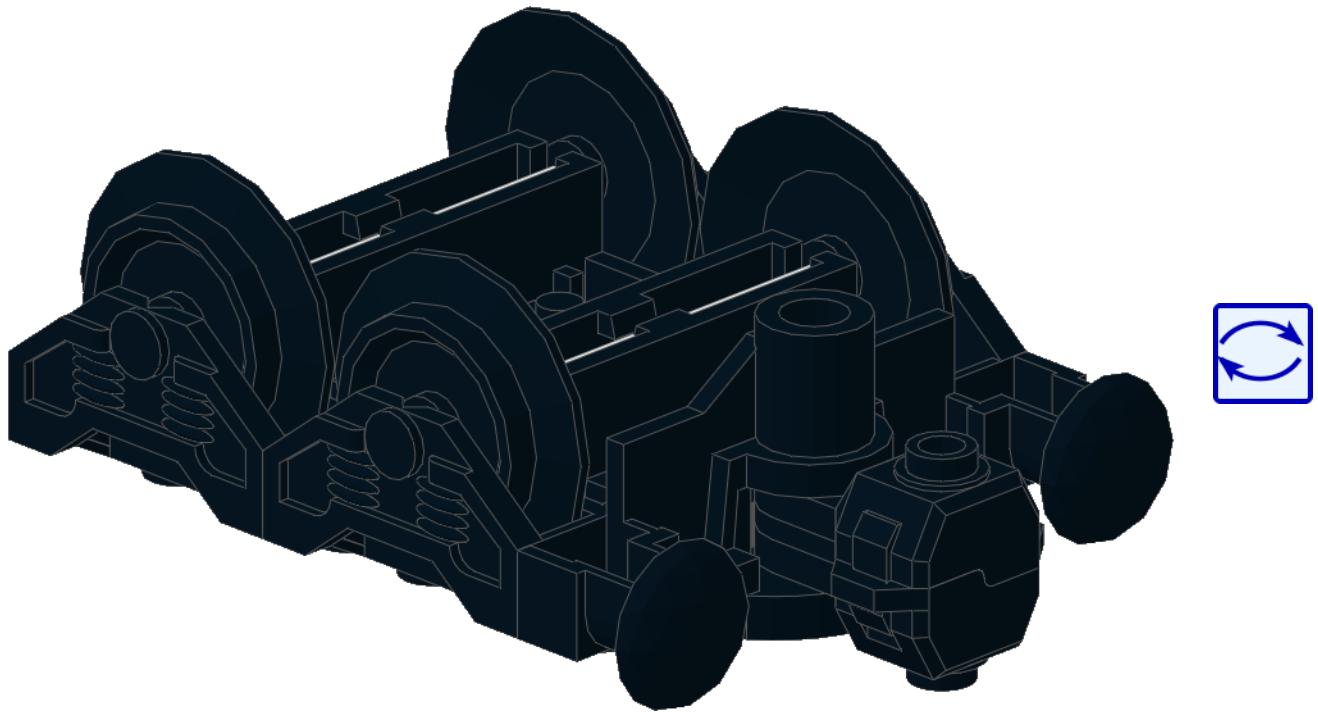
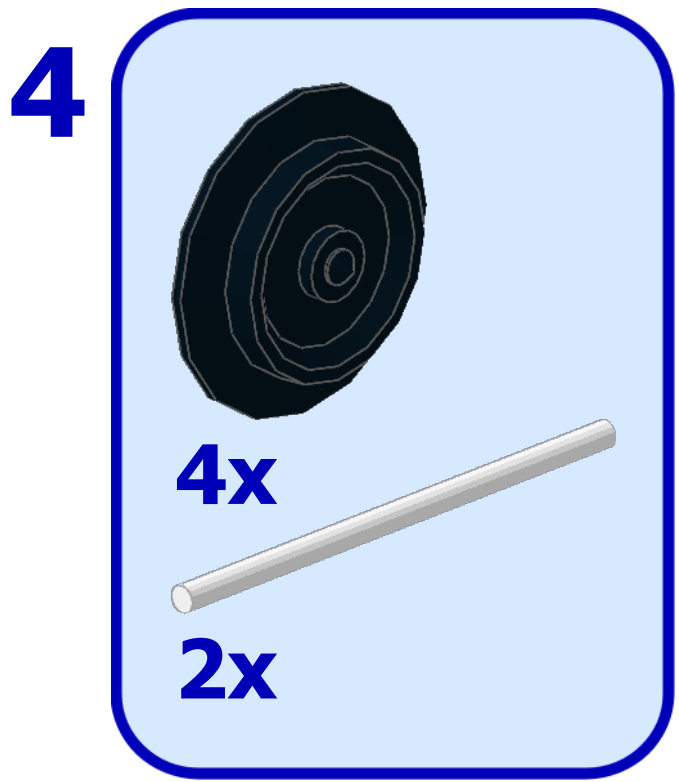
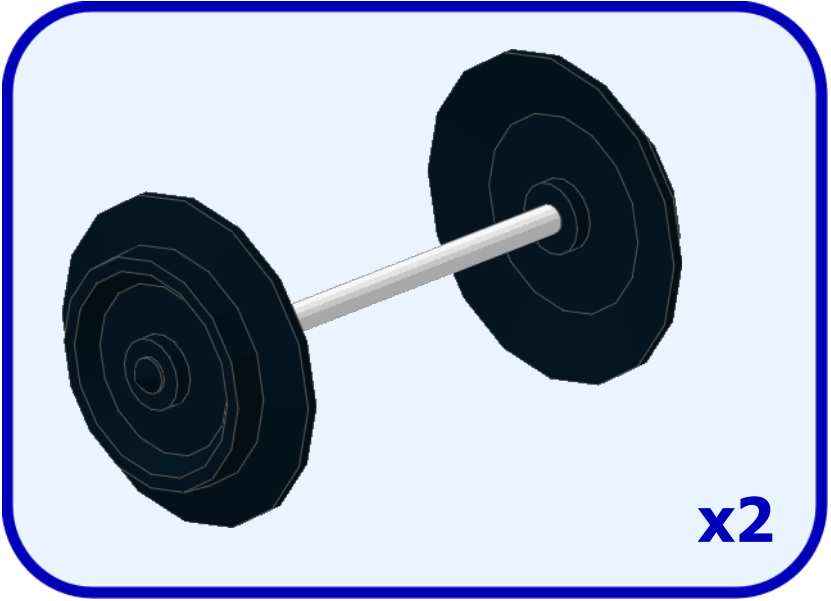
6

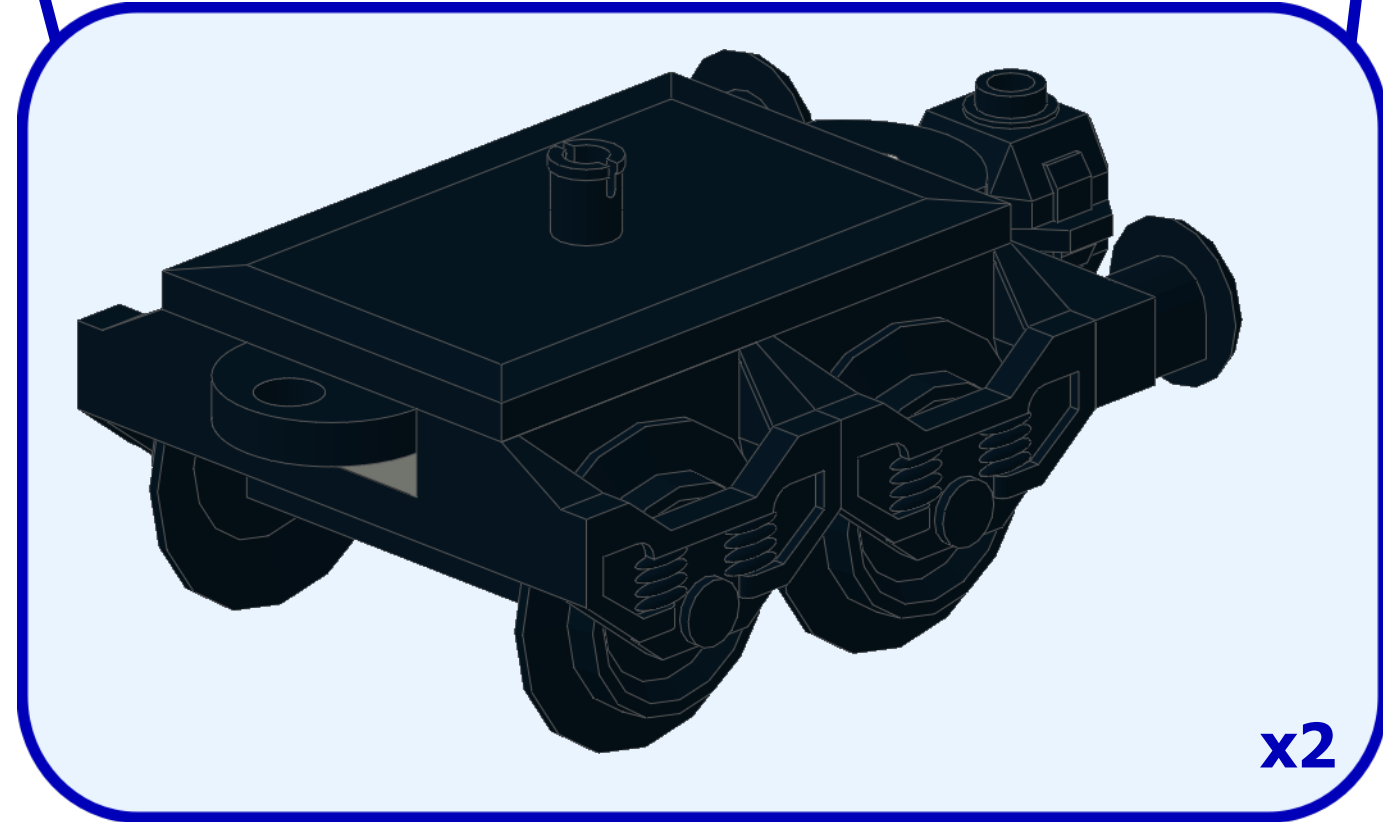
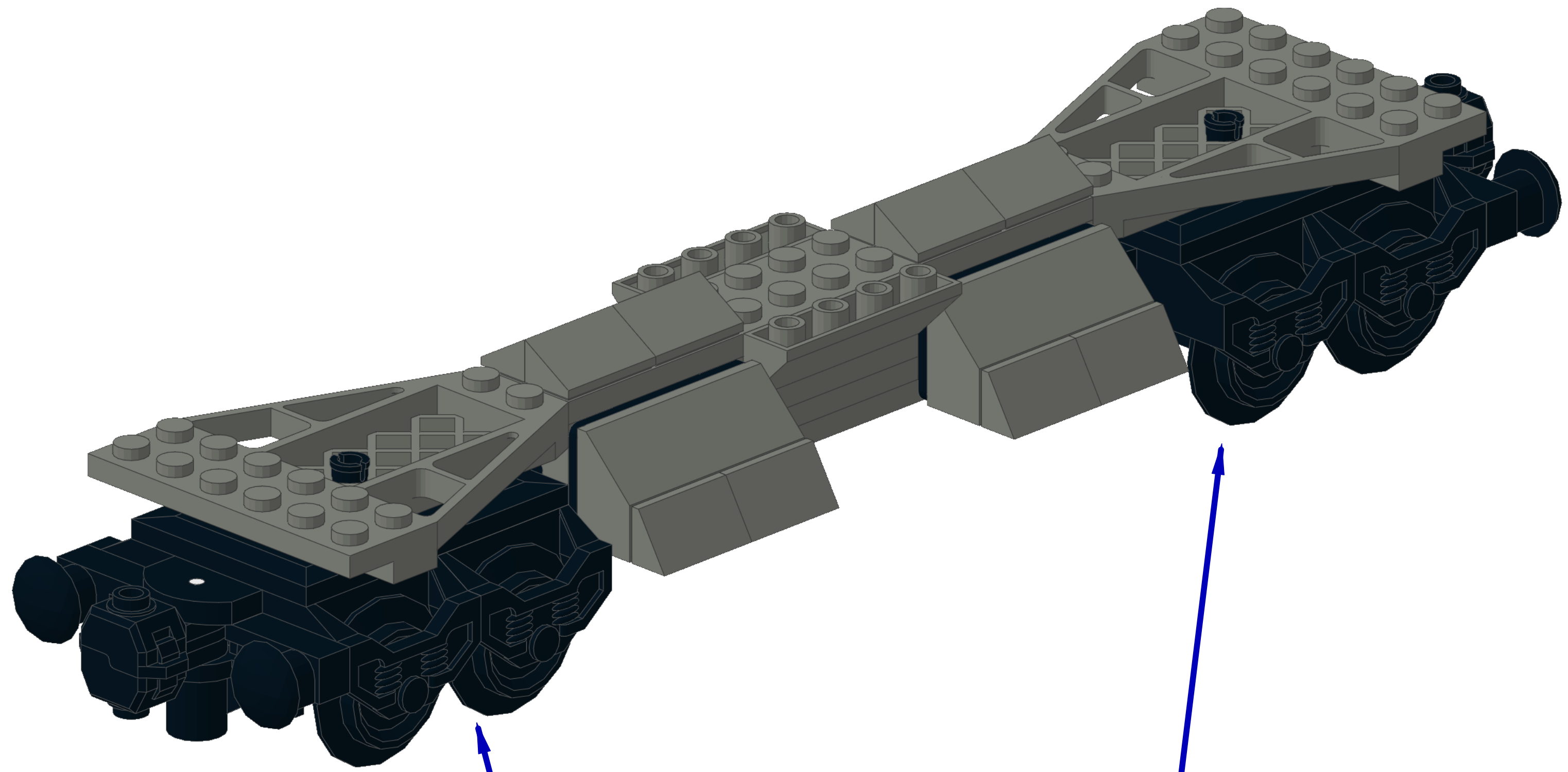


7

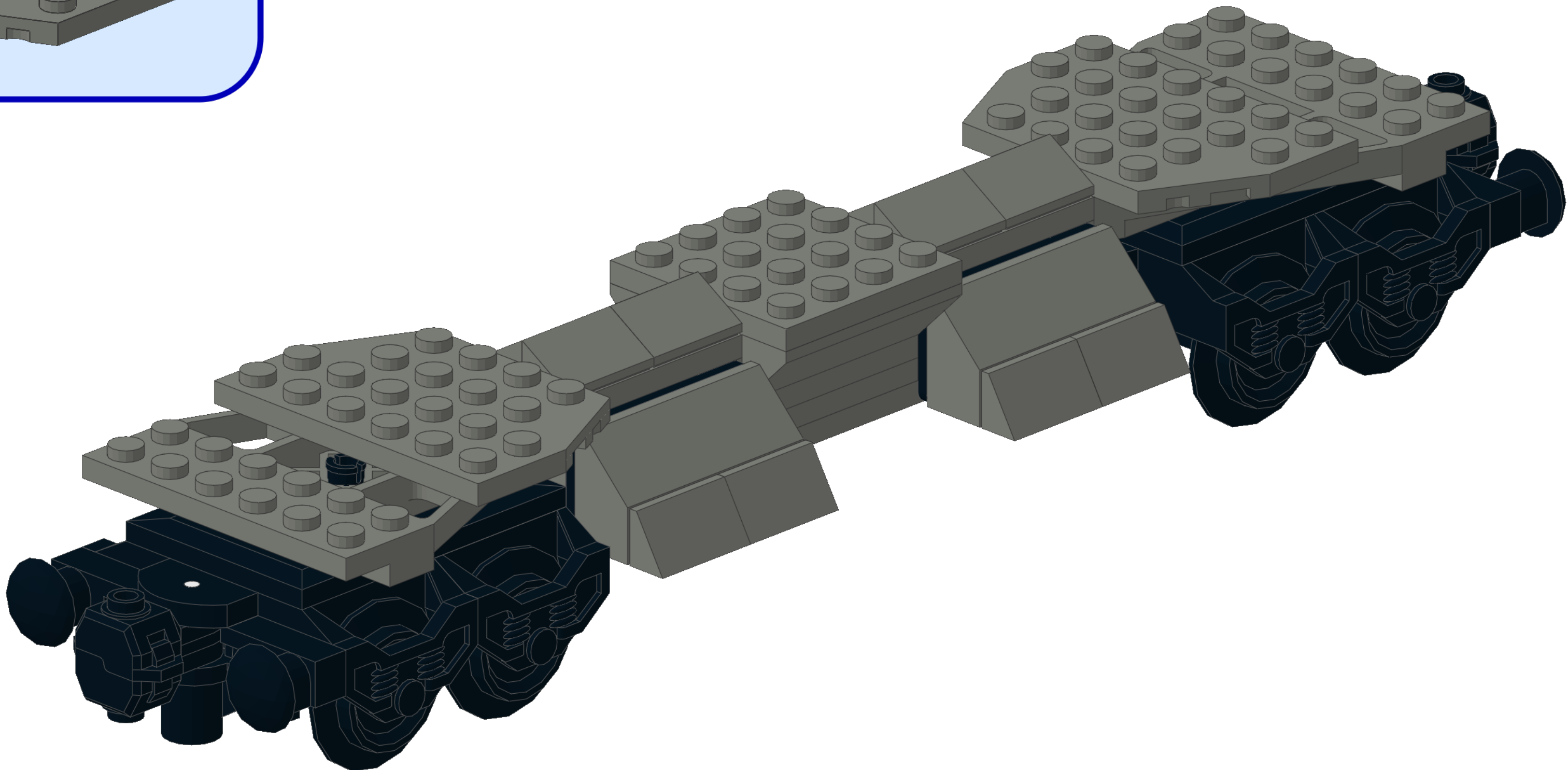
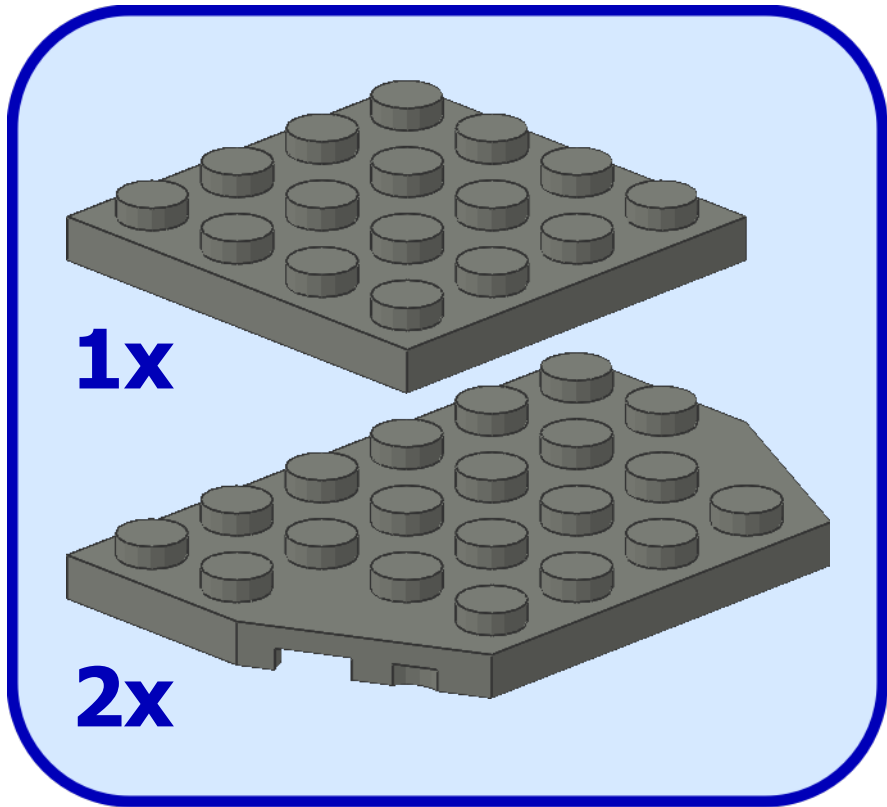




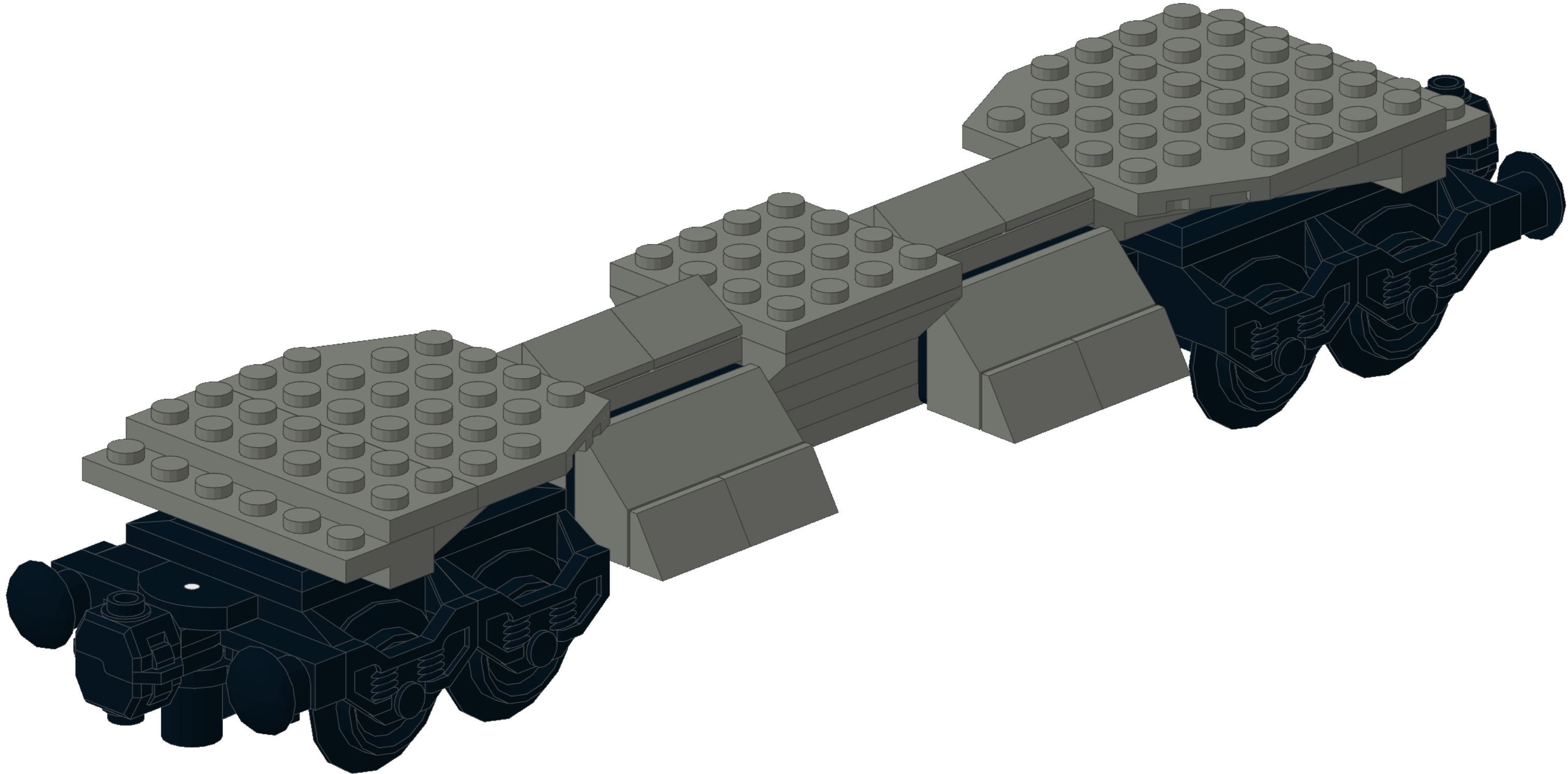
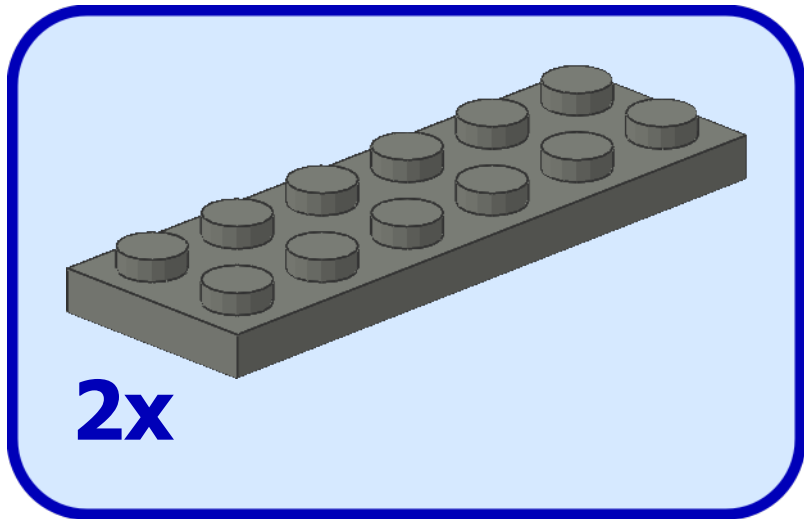




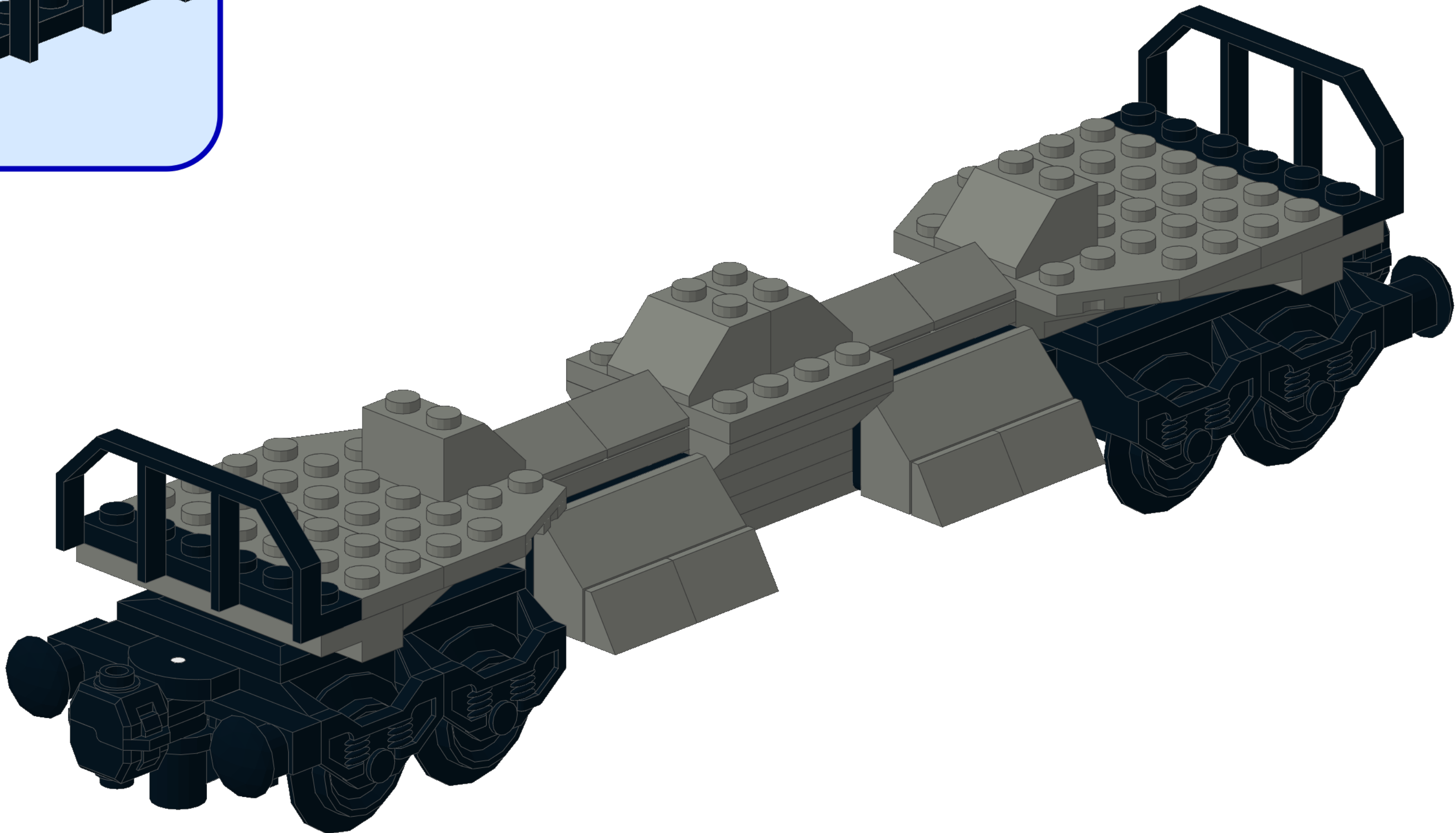
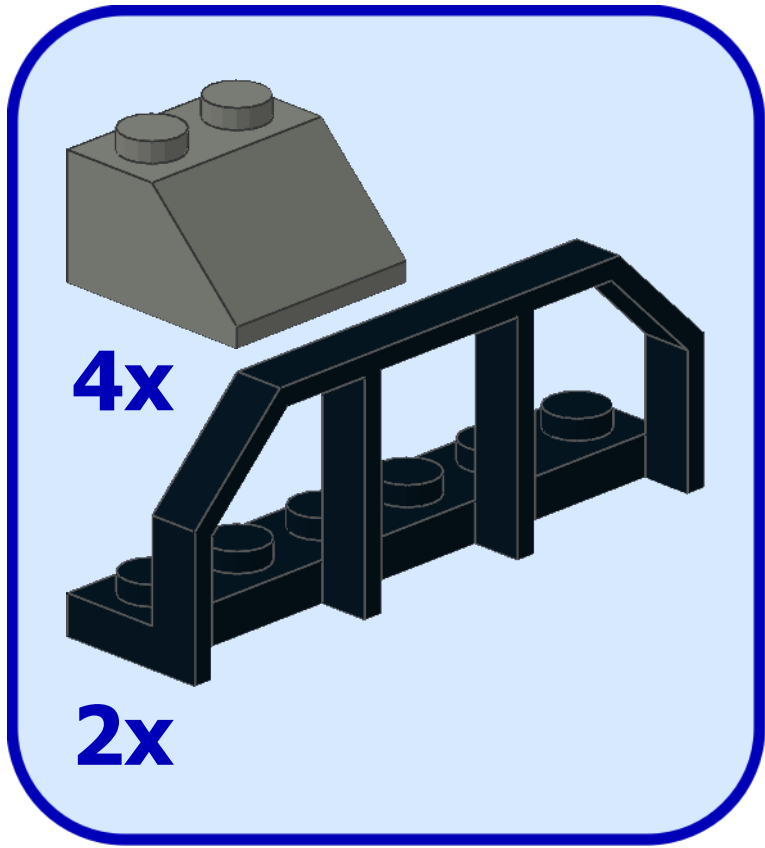
9



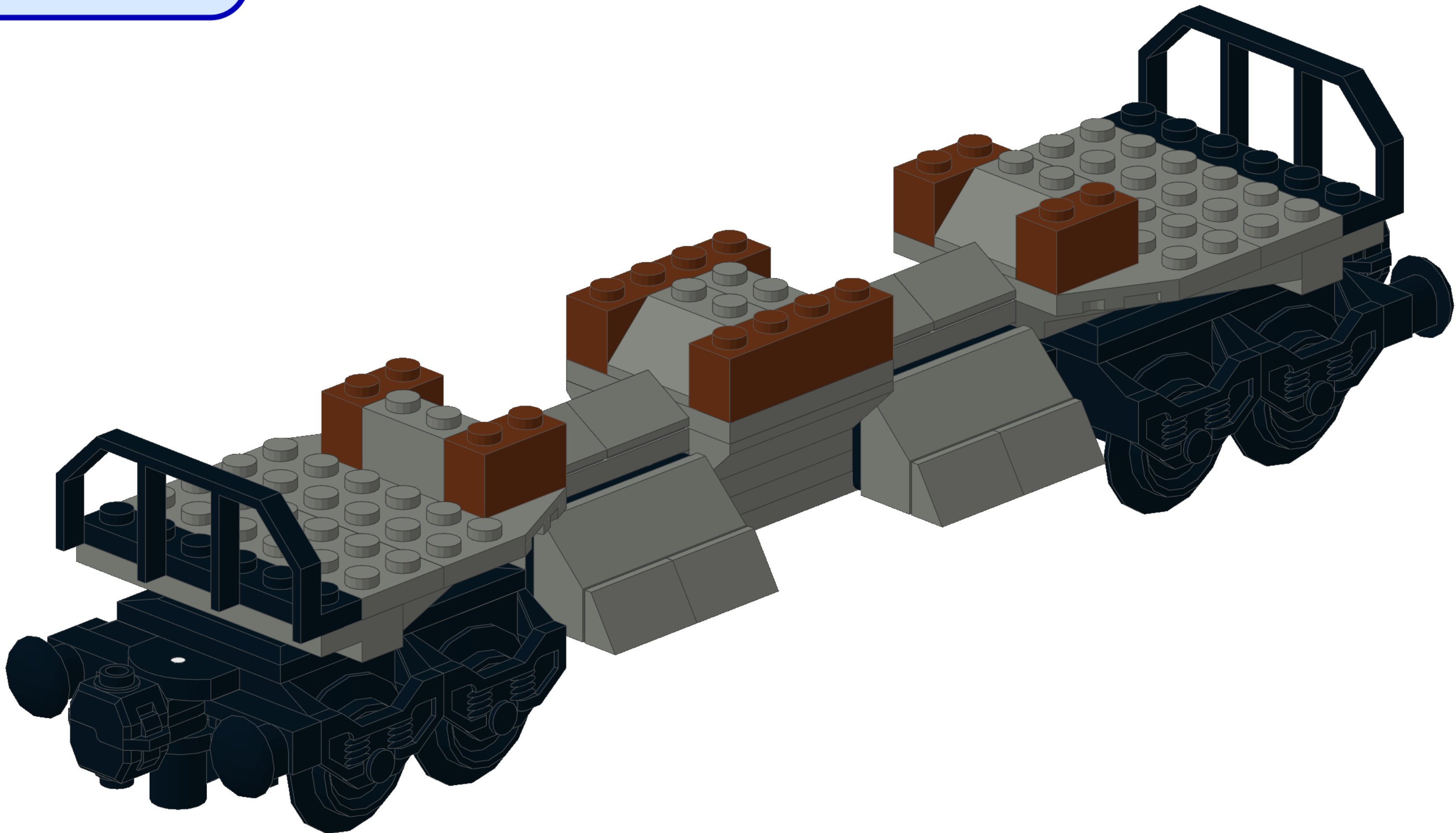
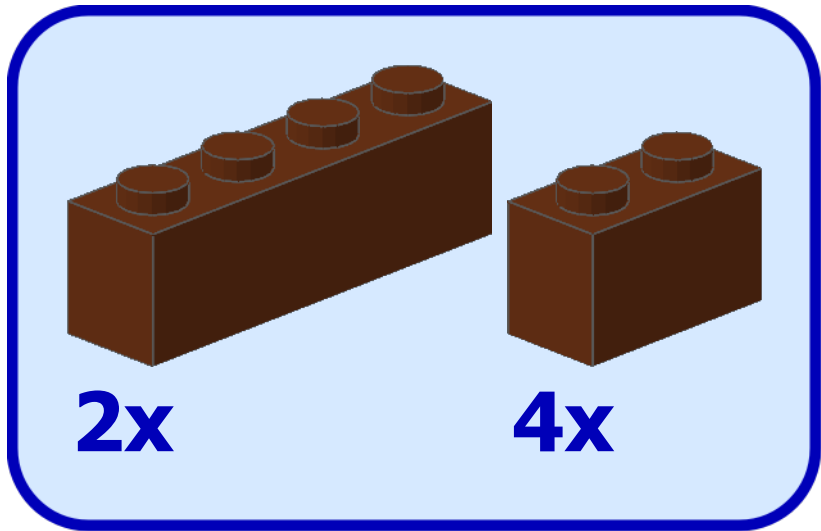
10



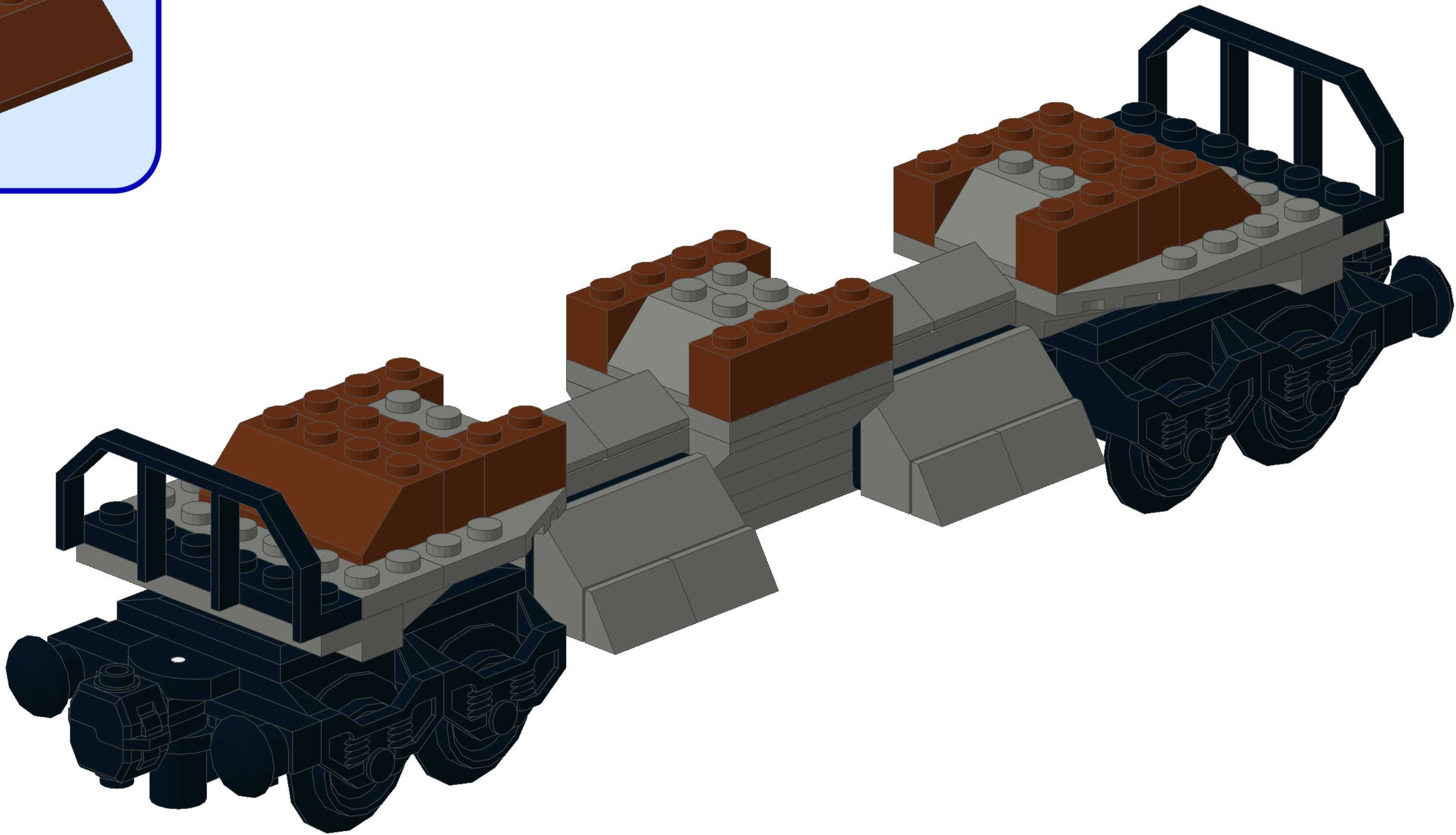
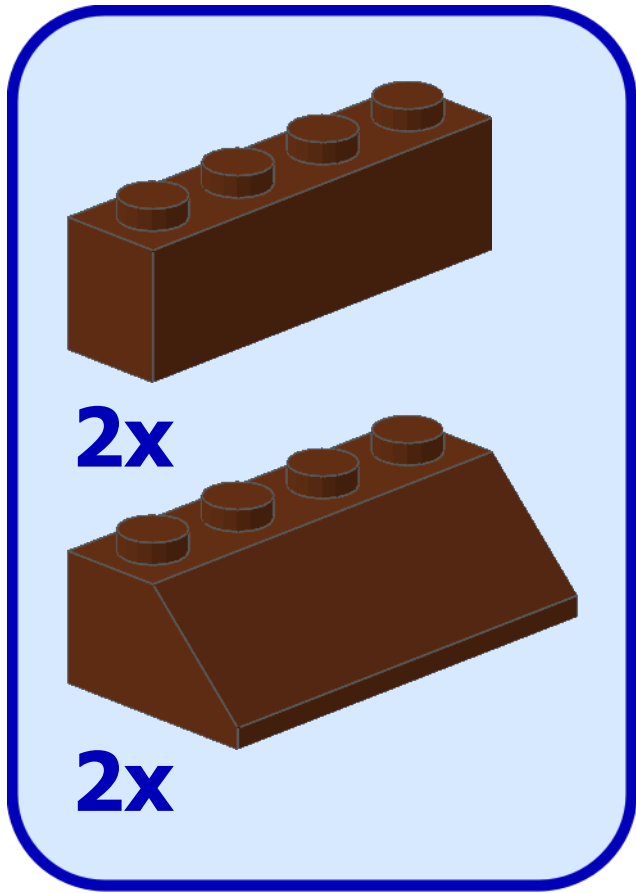
11



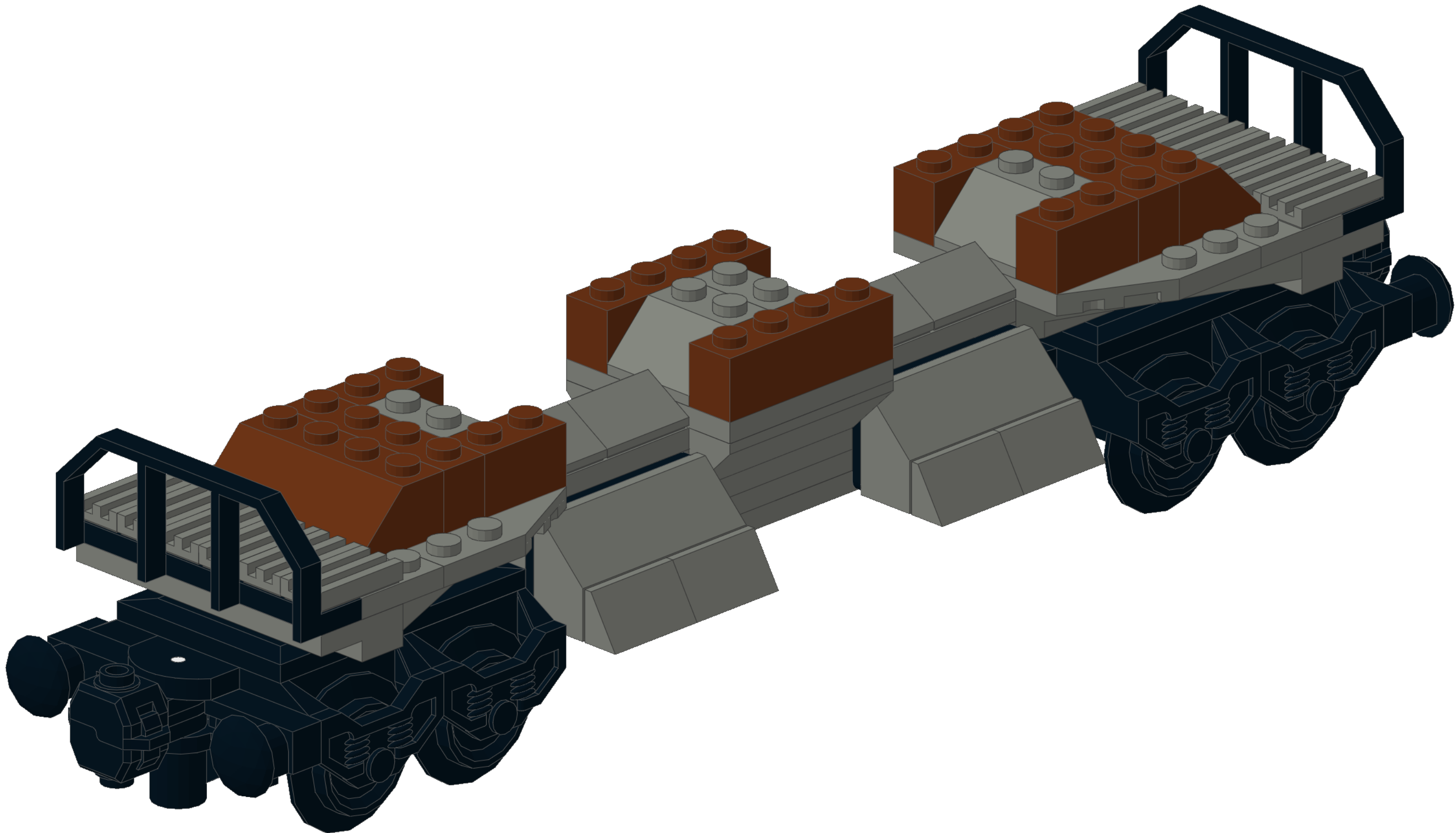
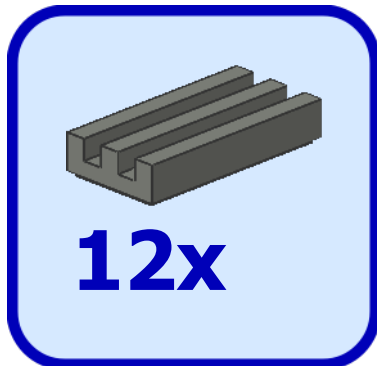
12



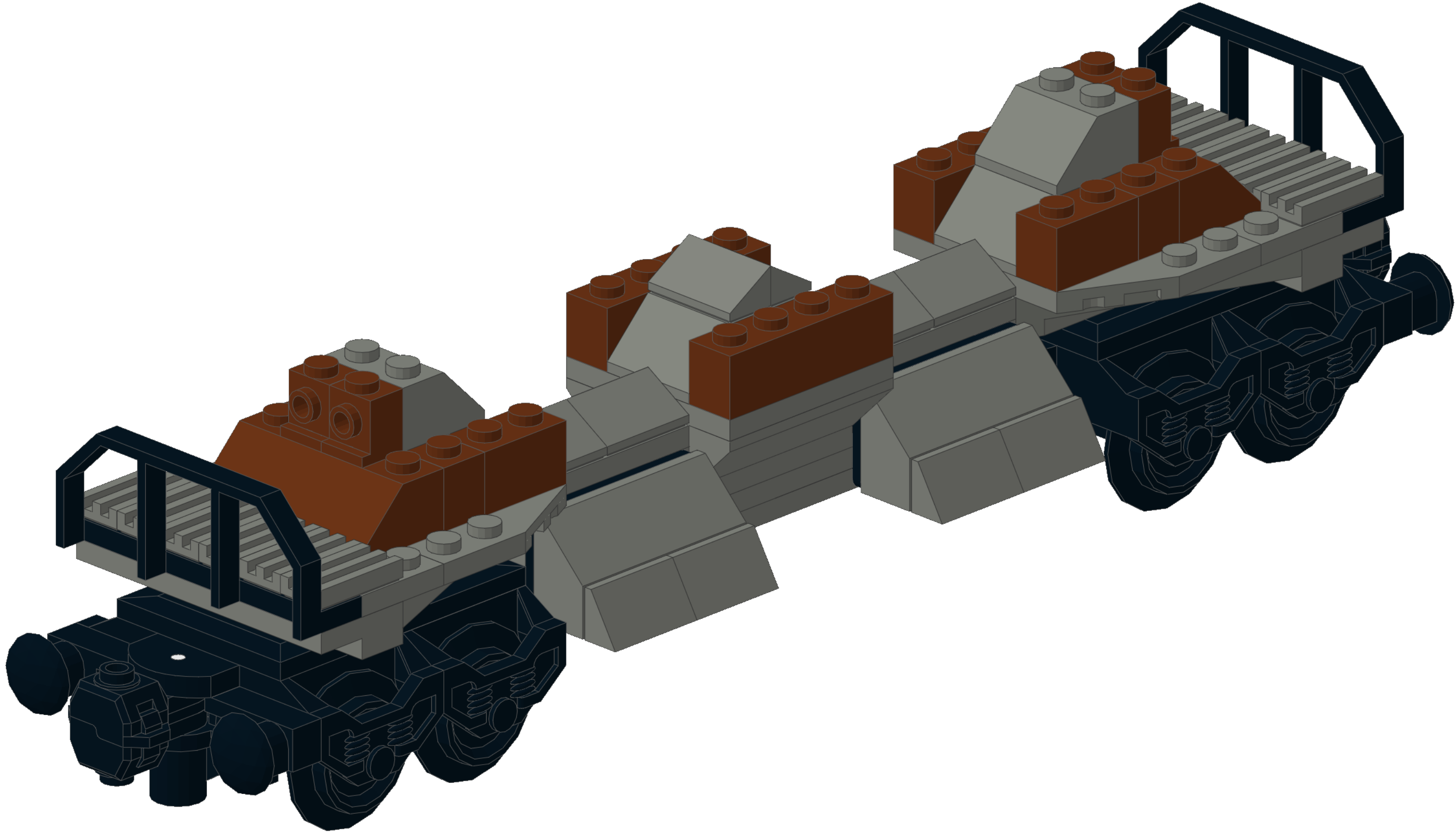
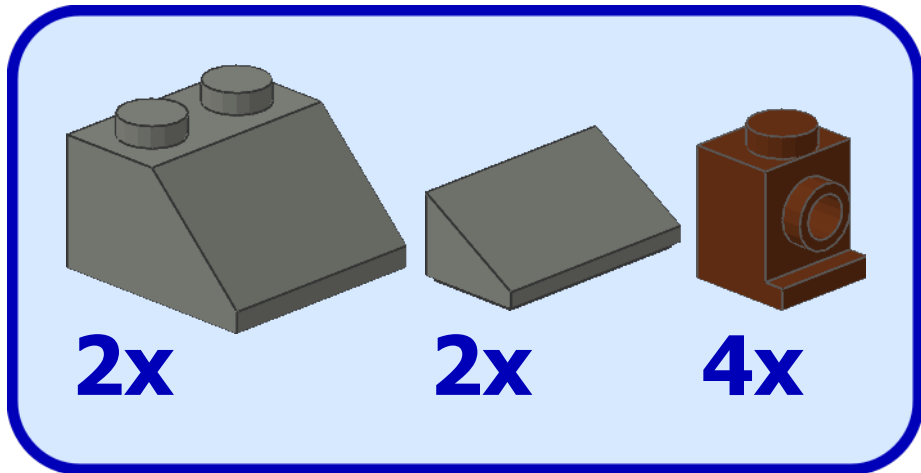
13

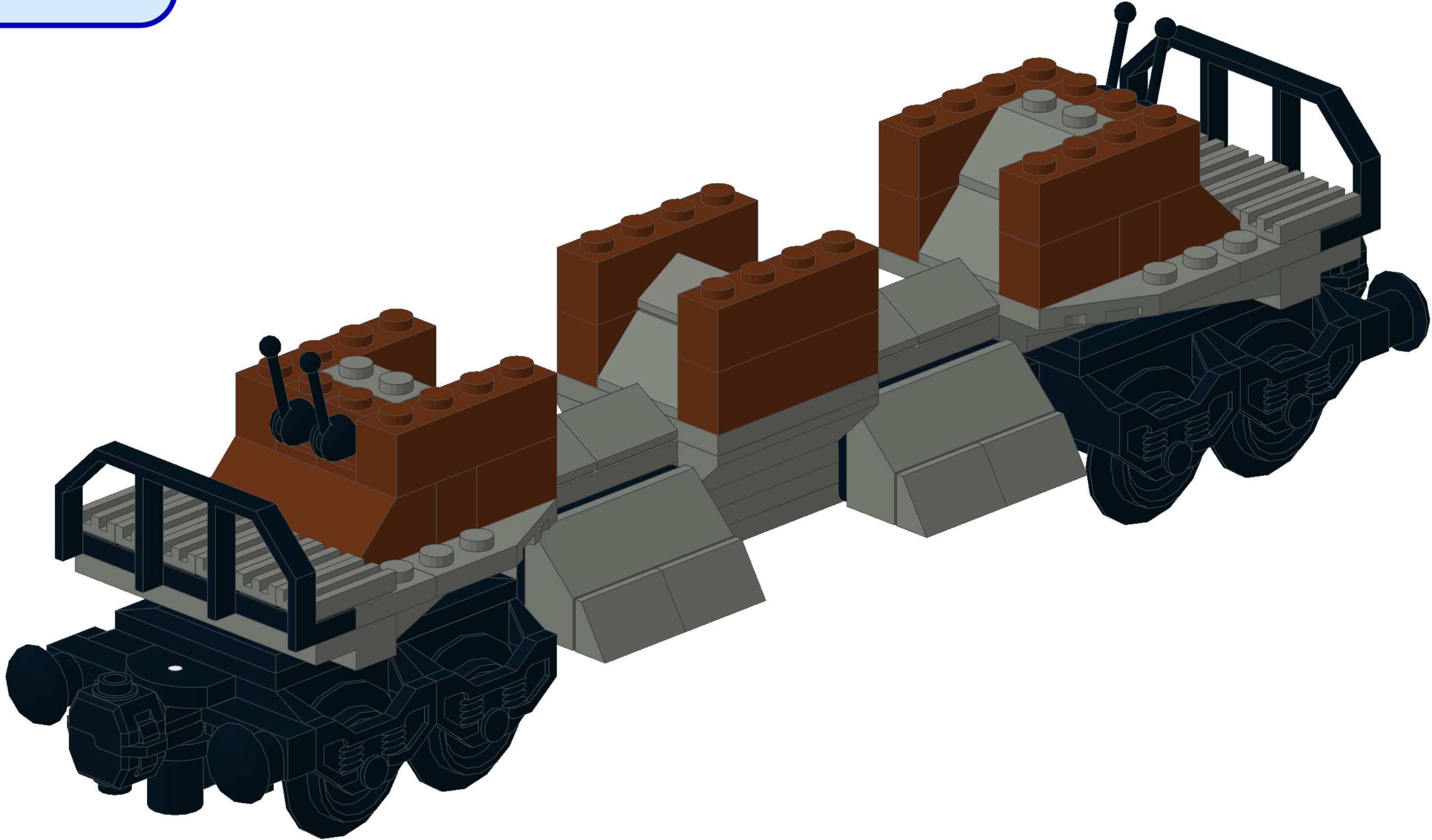
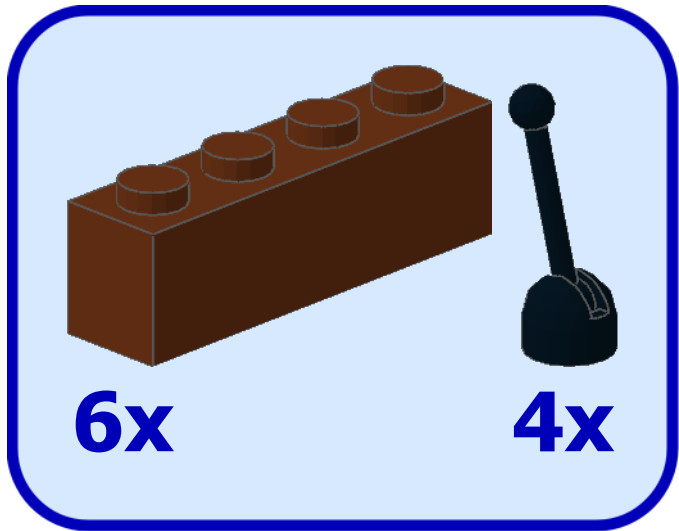


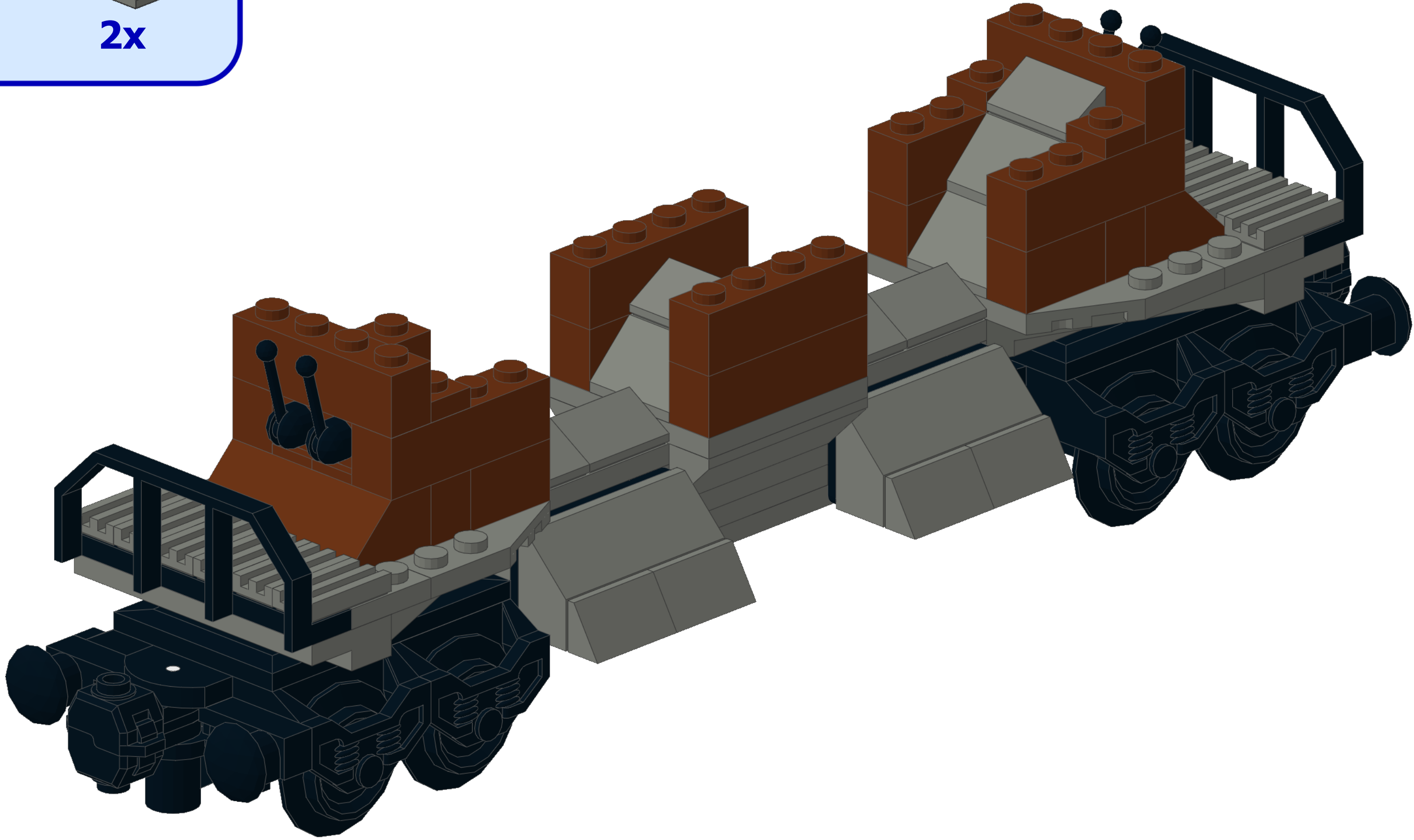
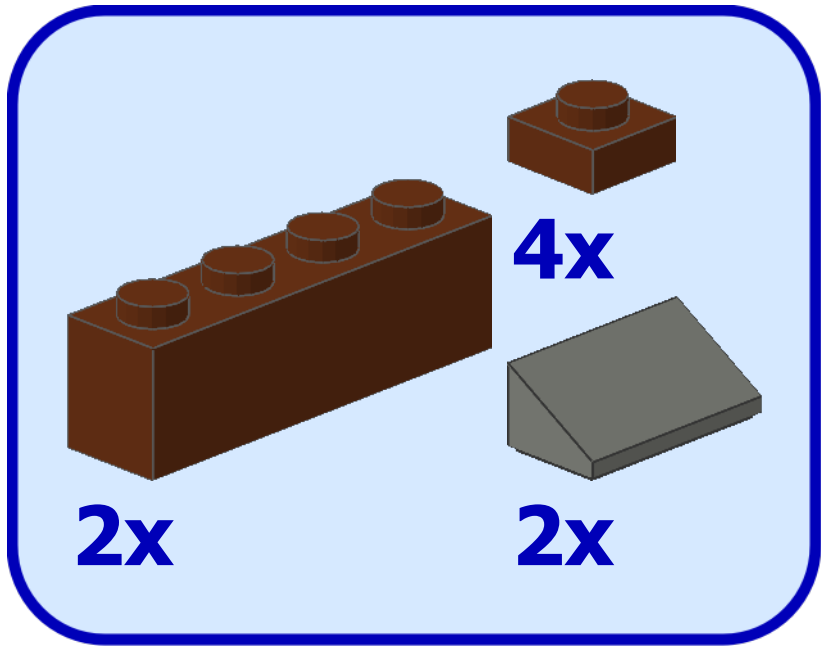
14

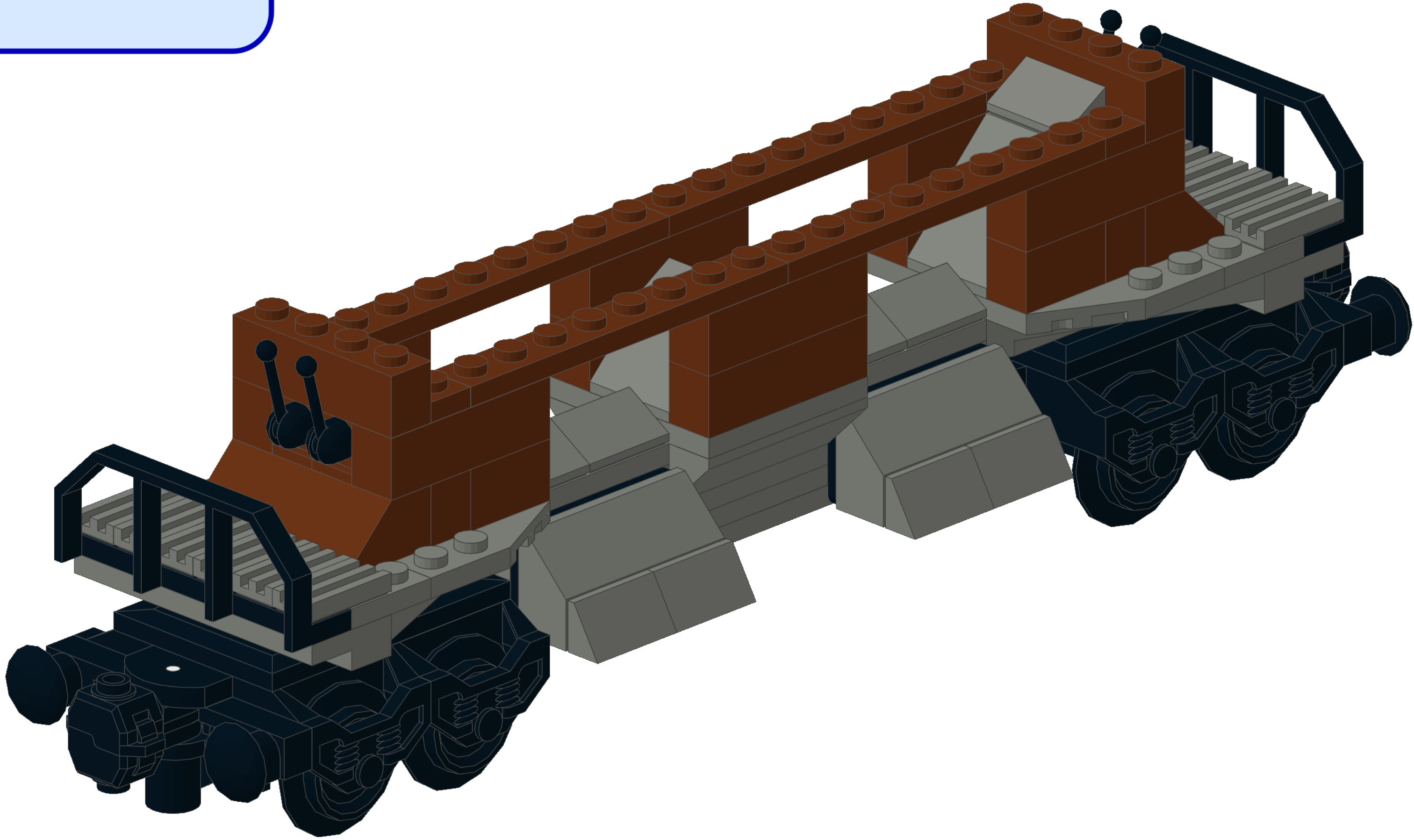
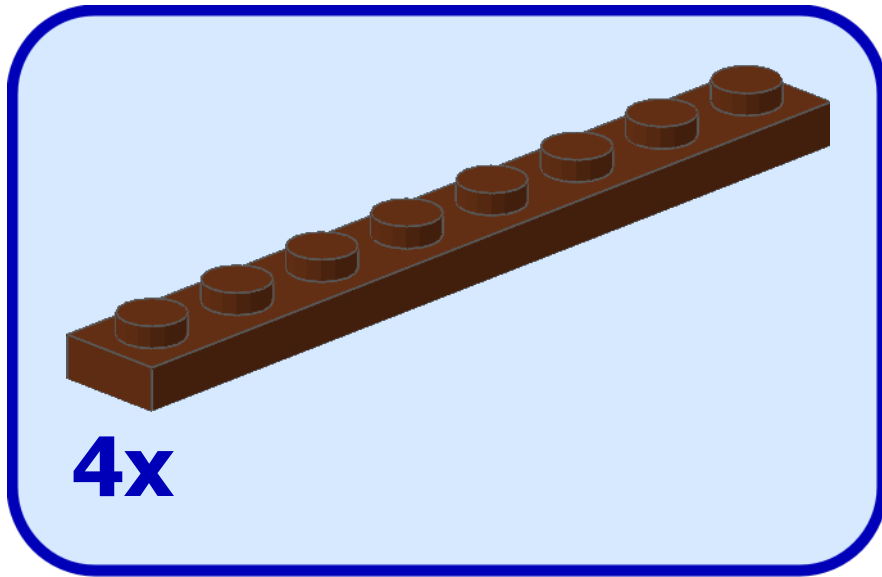


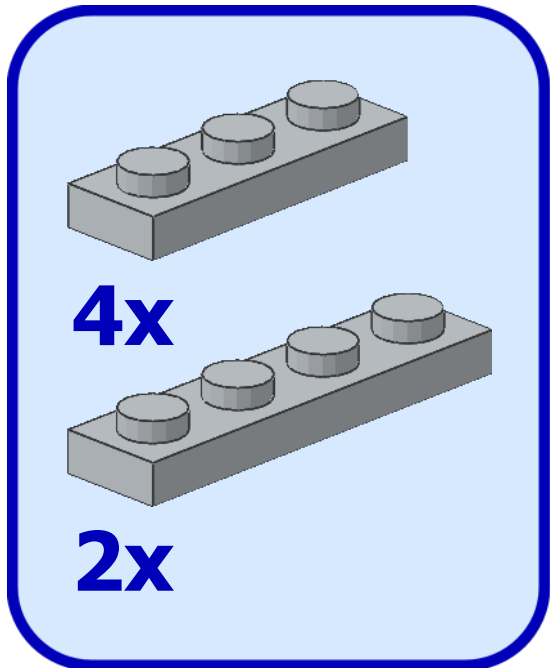
2x 2x 4x







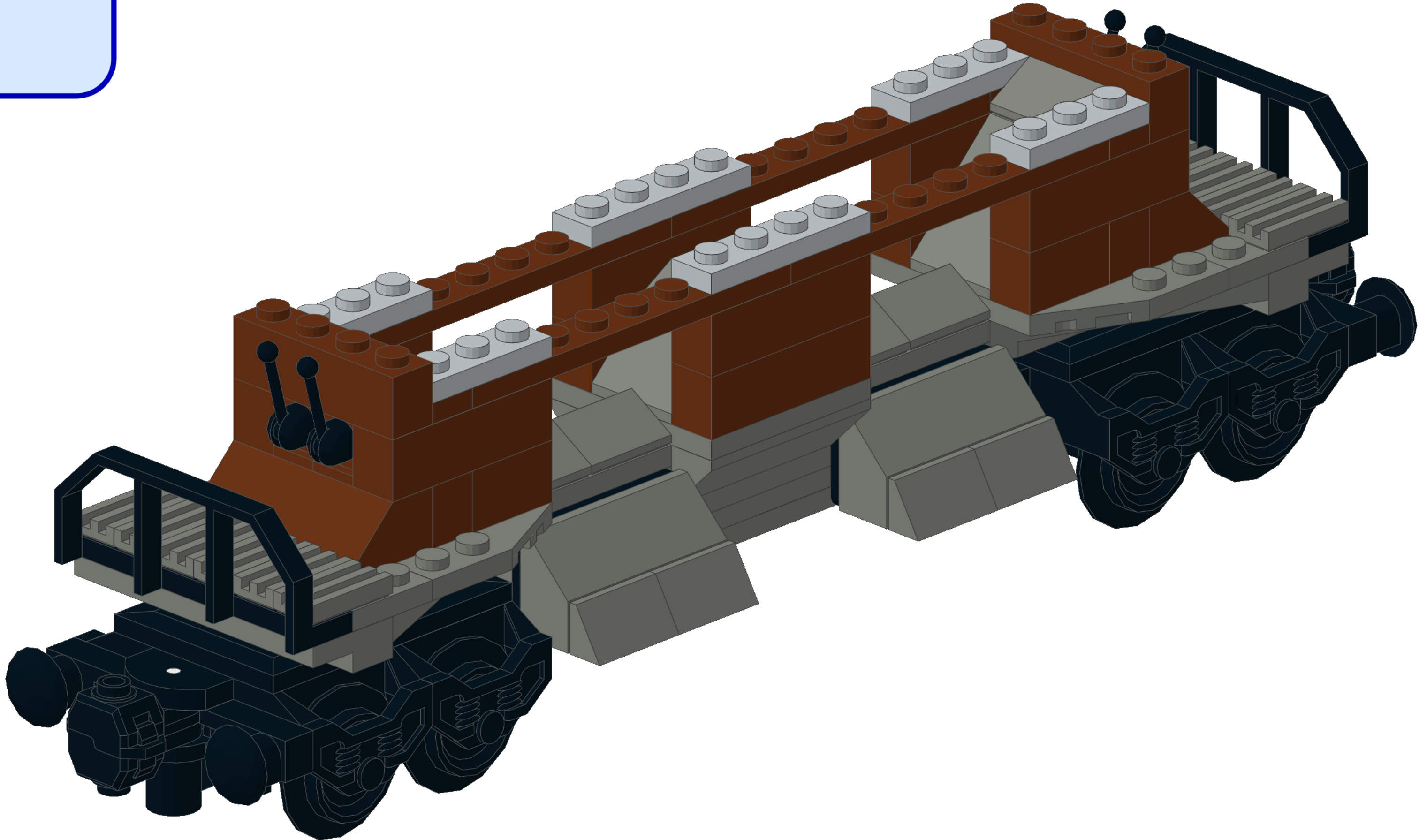




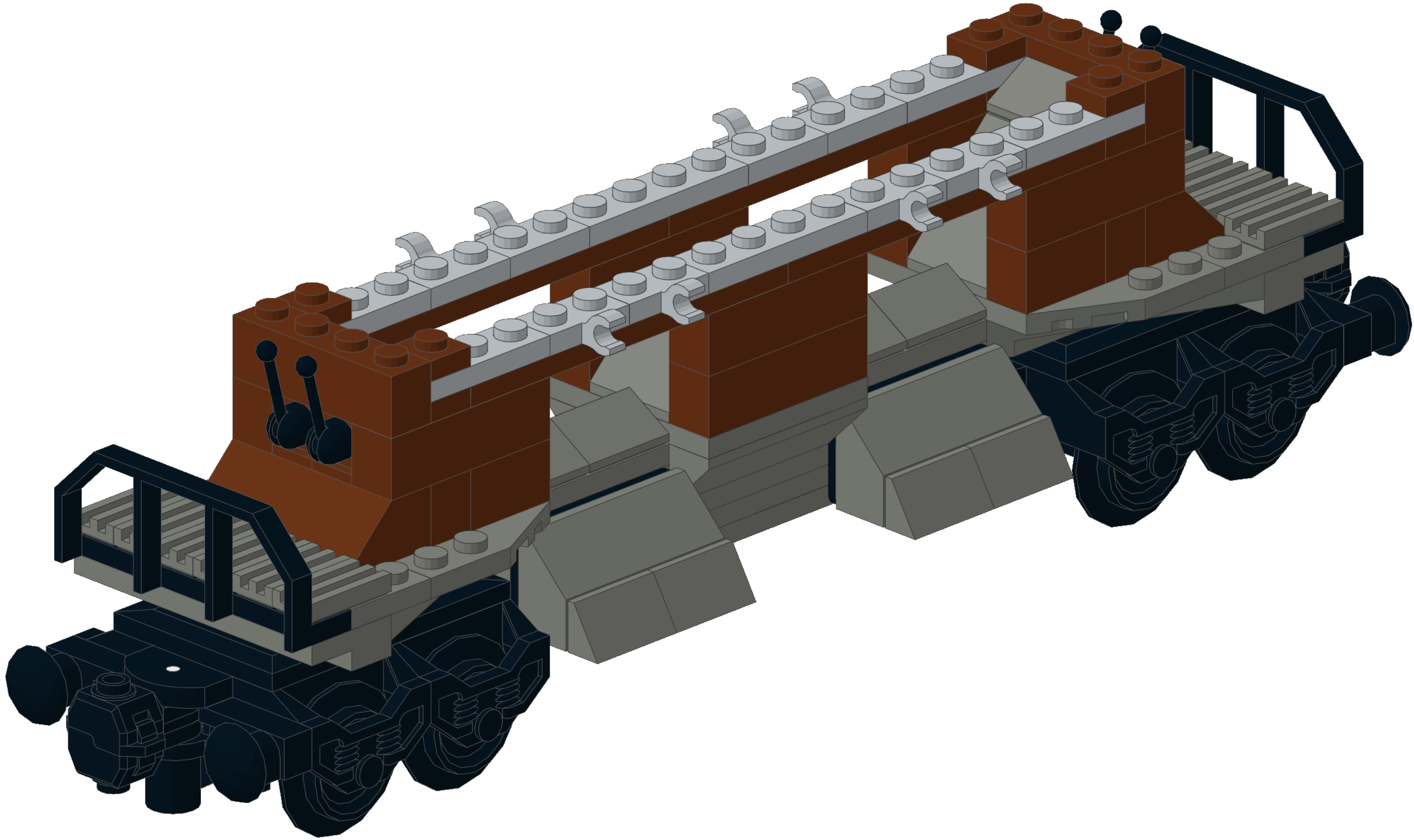
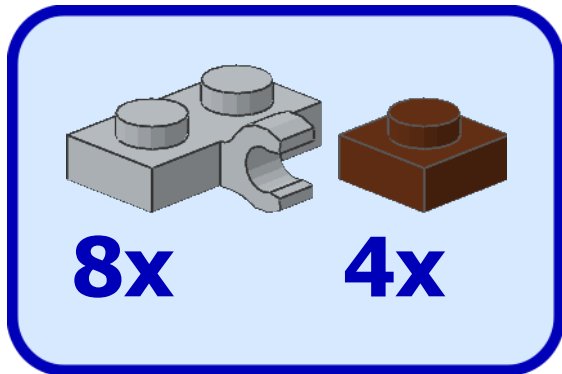
4x

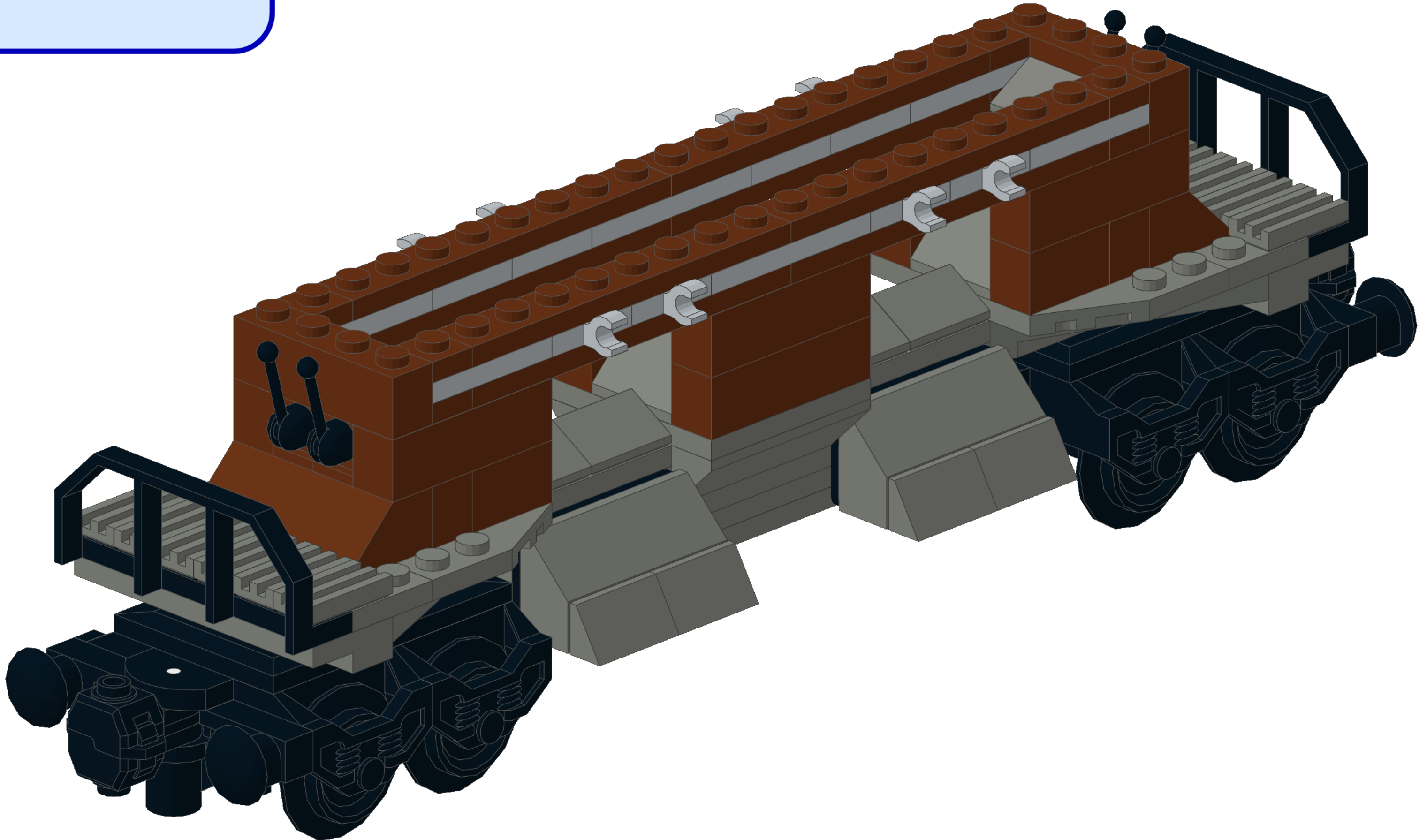
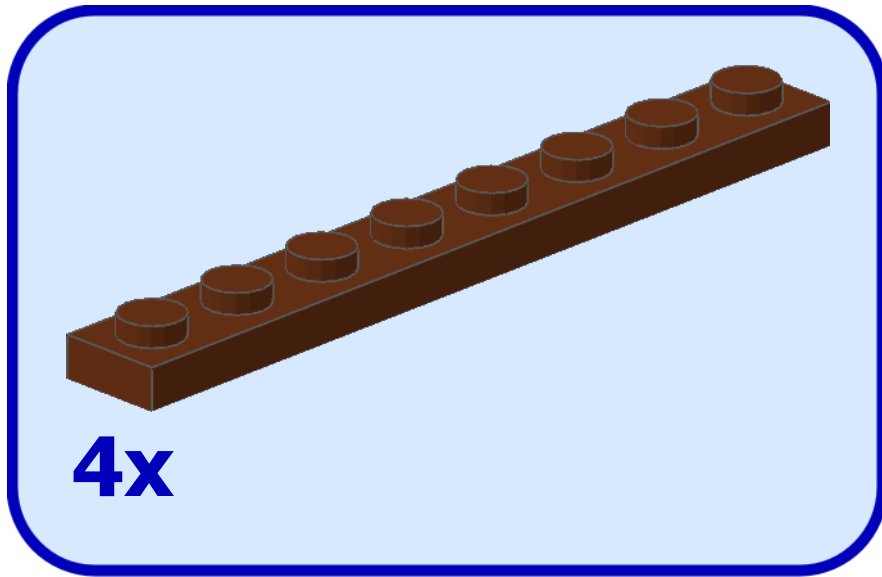
2x

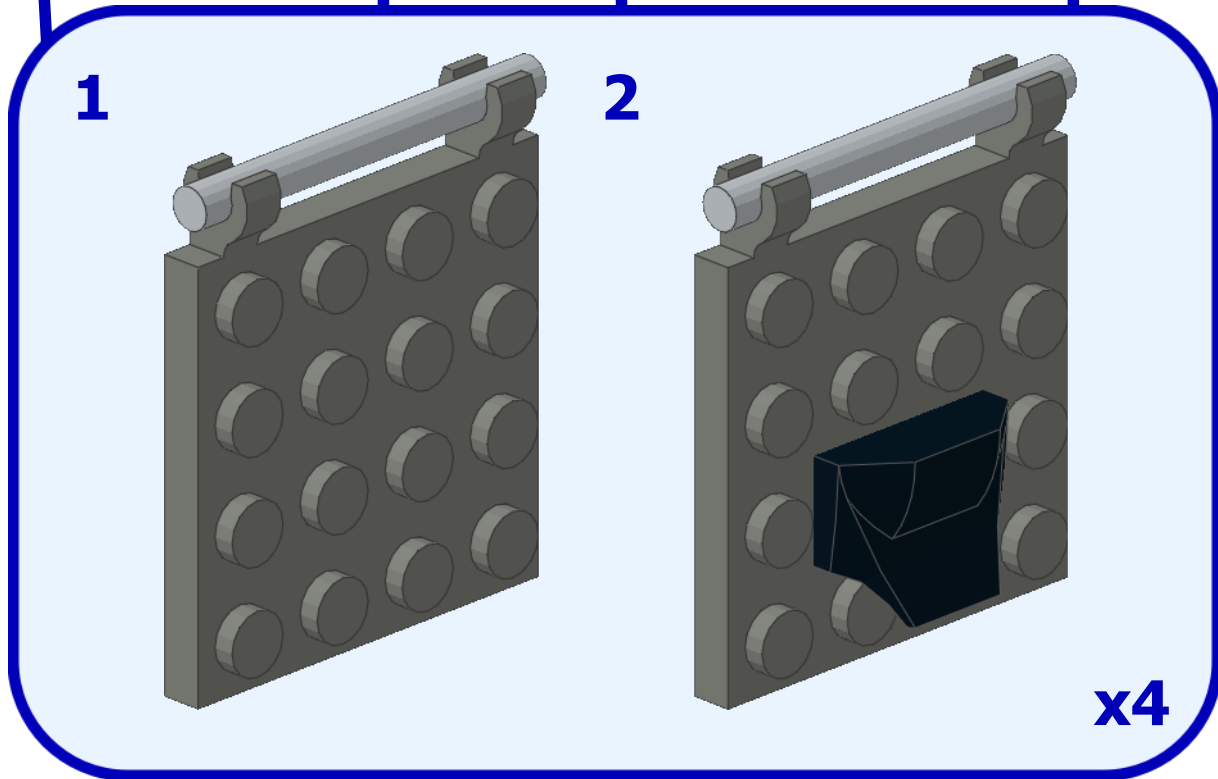
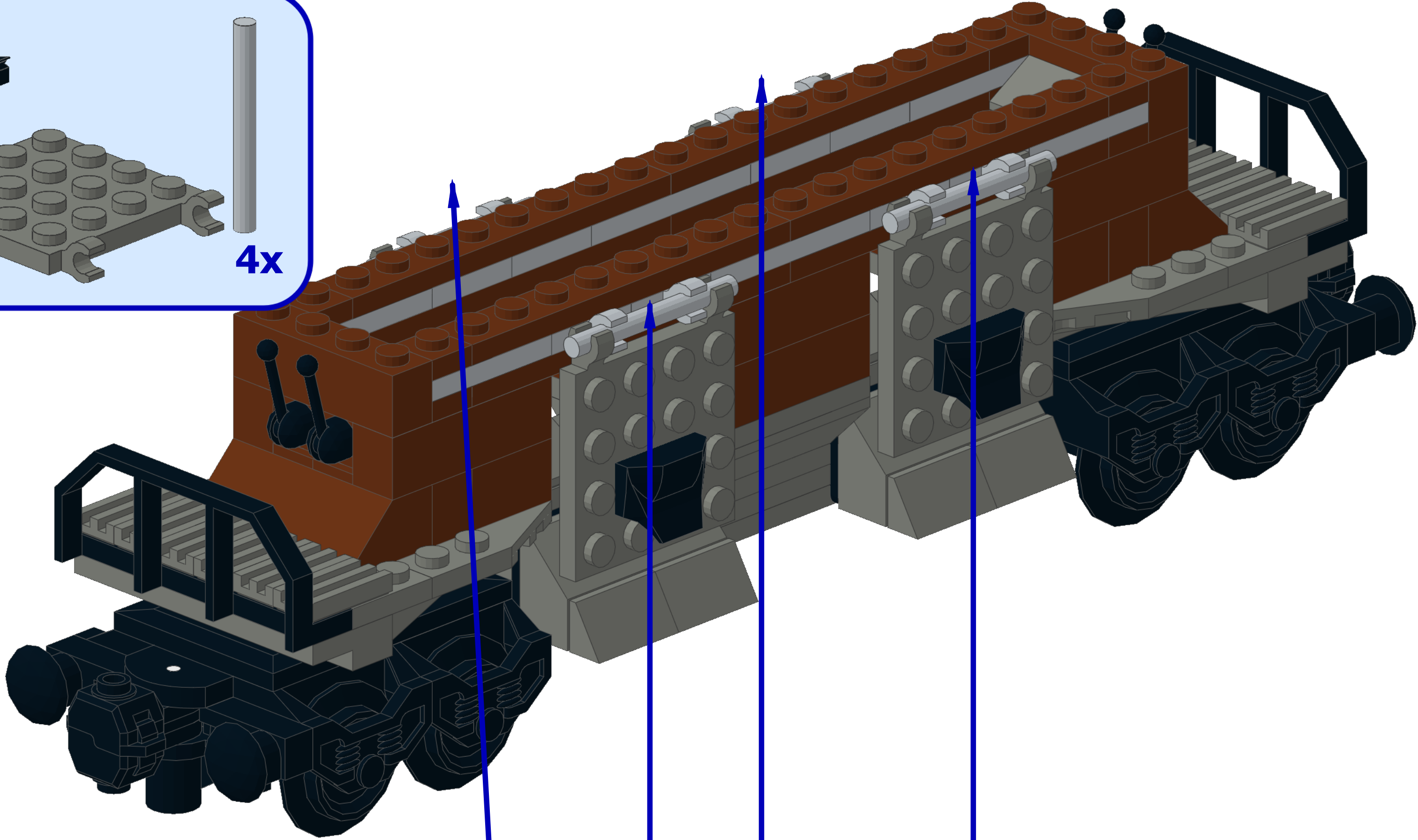
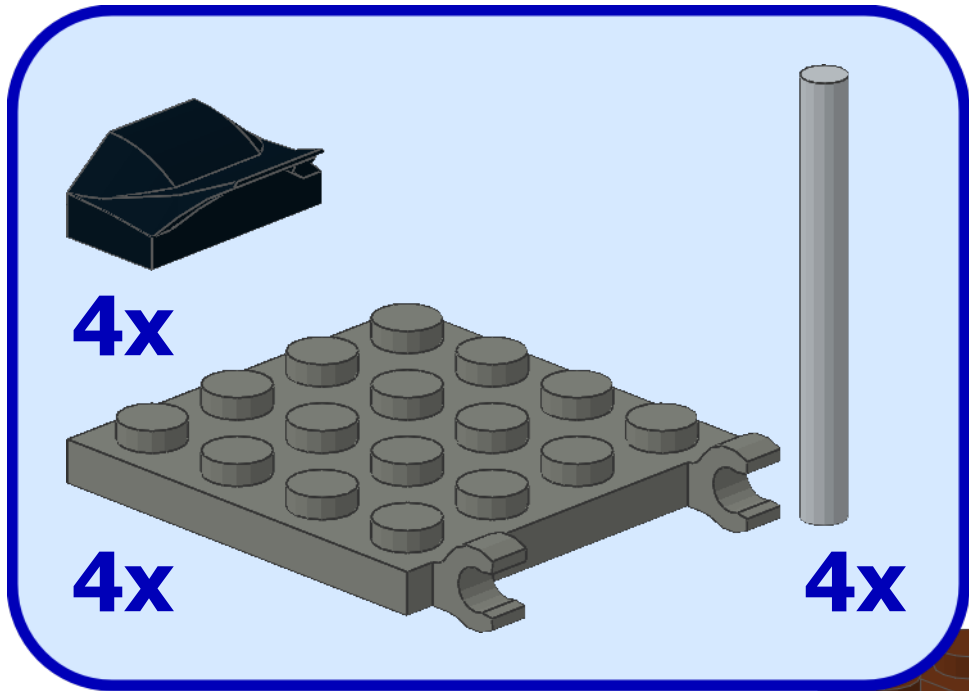
This inset box shows the parts required for step 19. It contains two rows of grey 1x4 Technic Technaxx beams with three pins inserted into the second, third, and fourth holes. The top row is labeled '4x' and the bottom row is labeled '2x'.



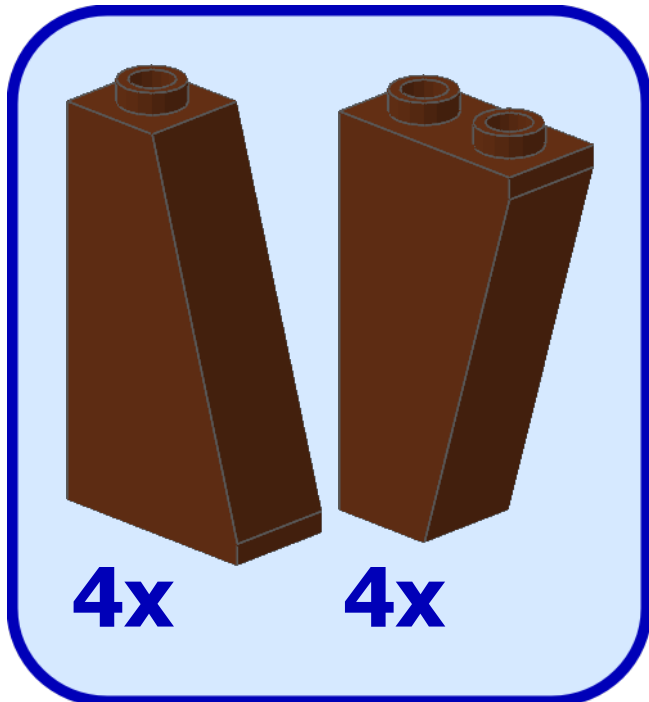
8x 4x





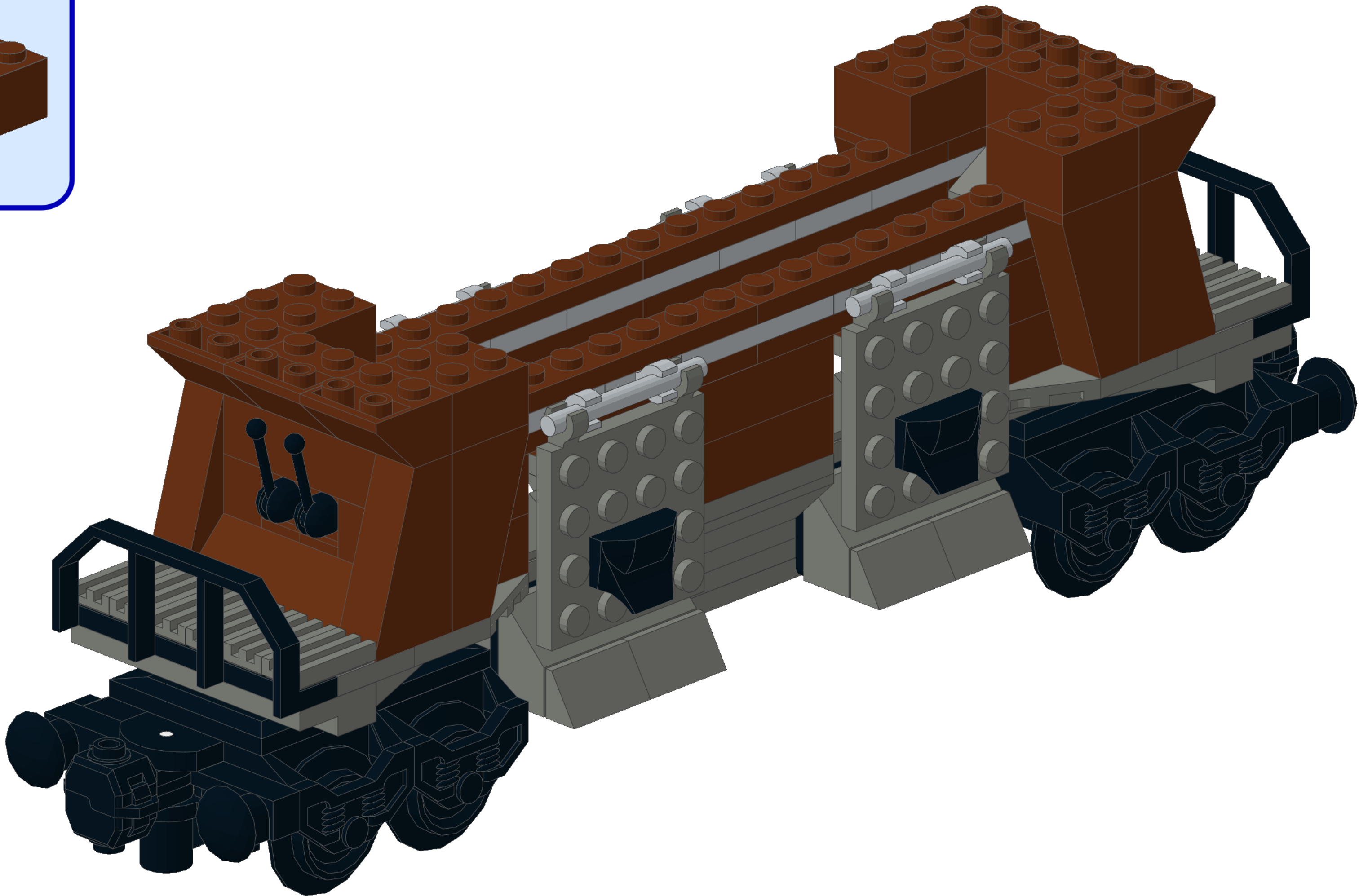
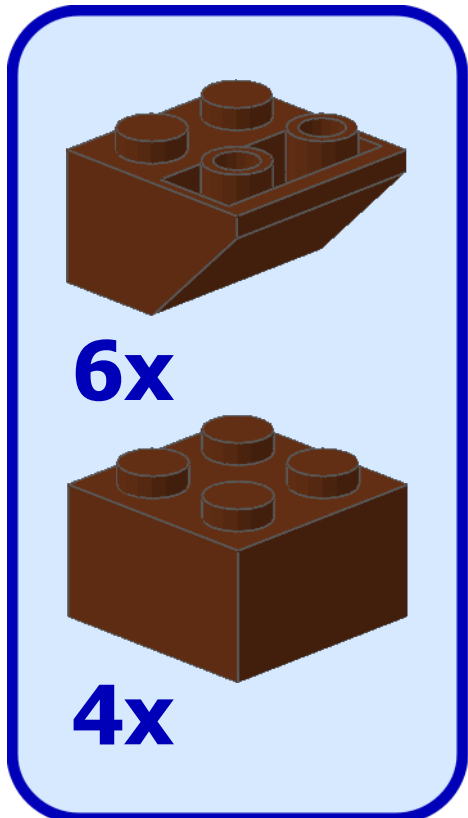


23

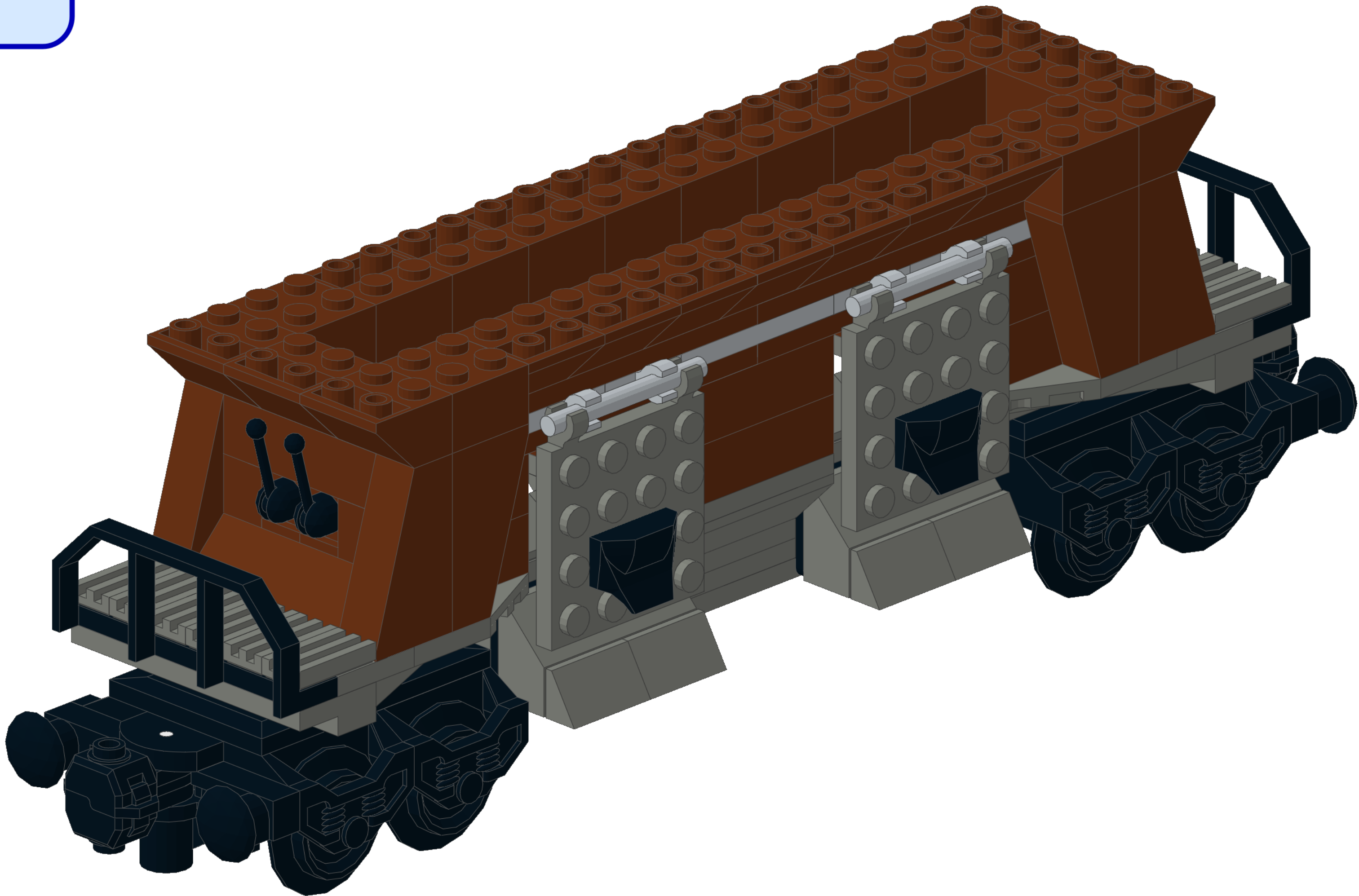
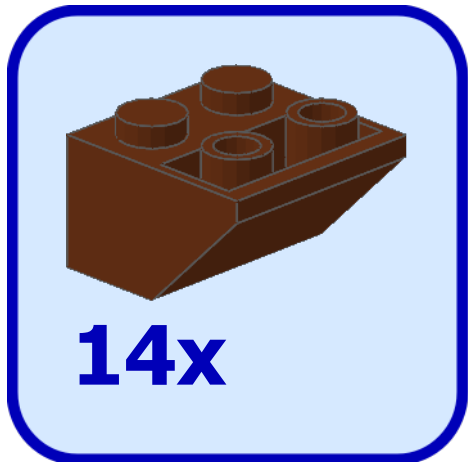


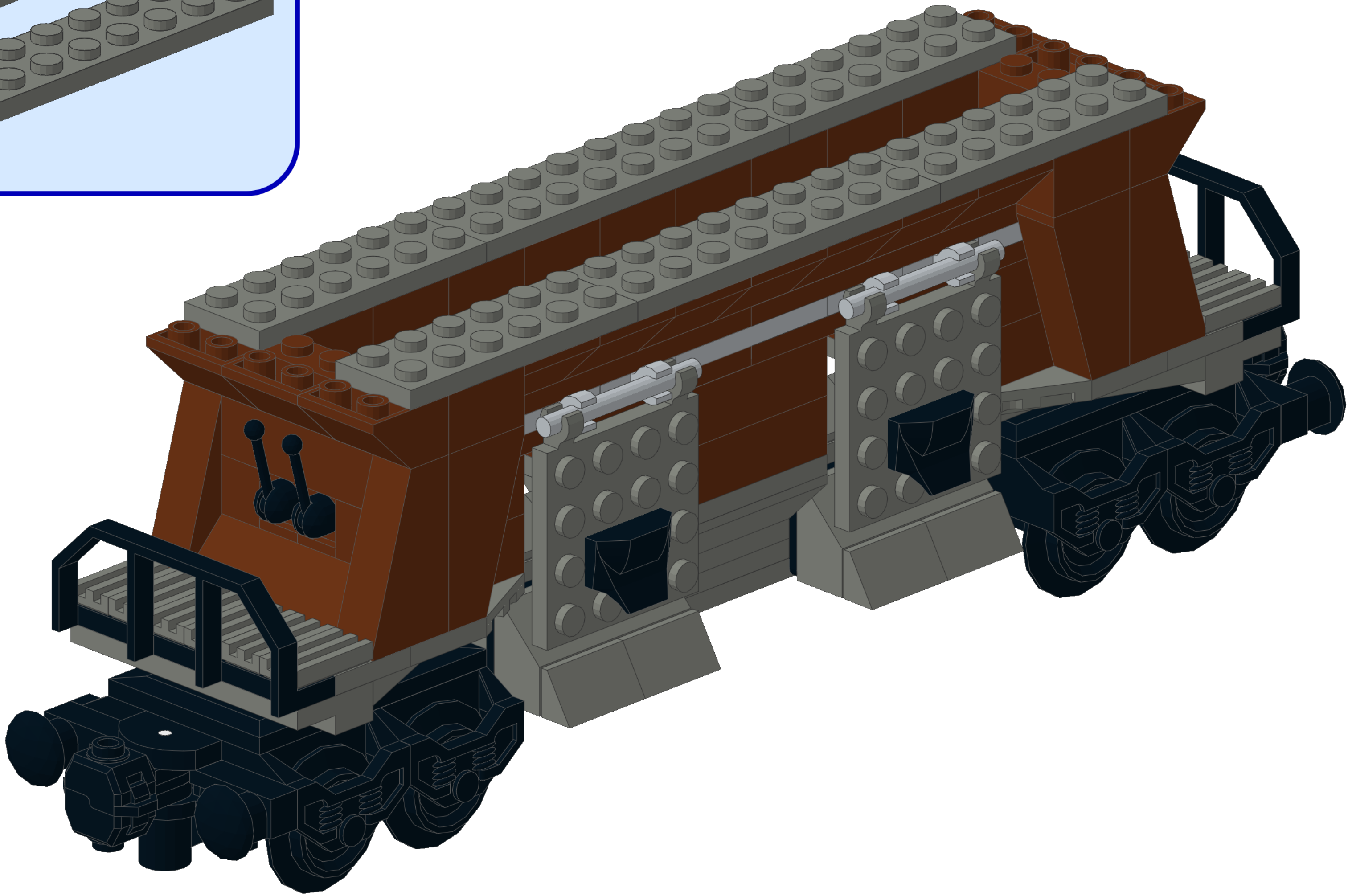
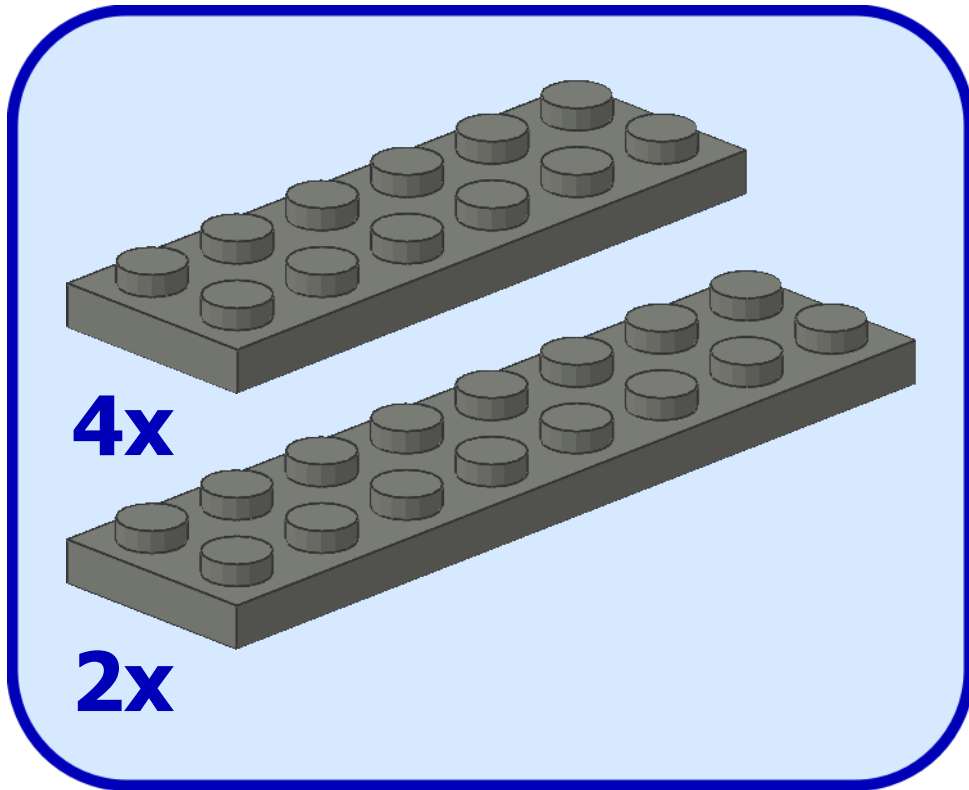
6x

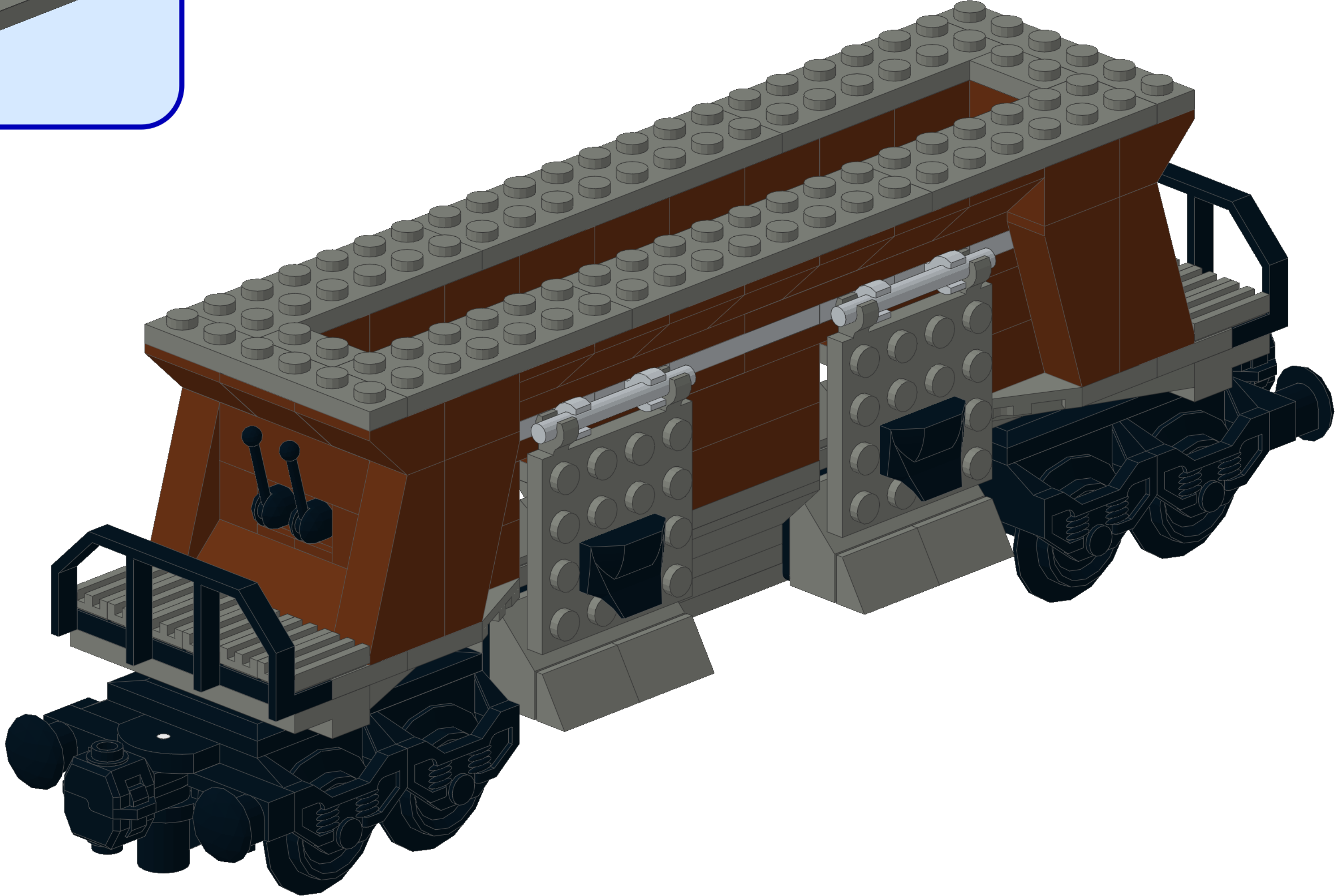
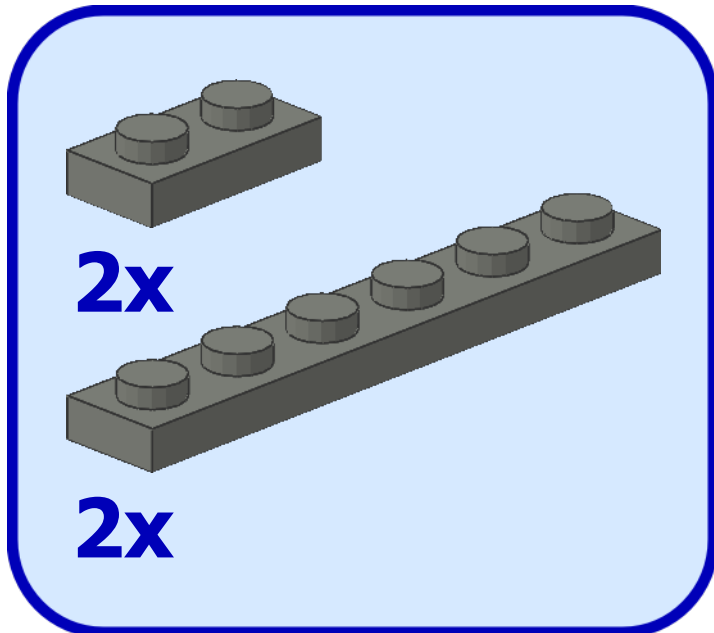
4x

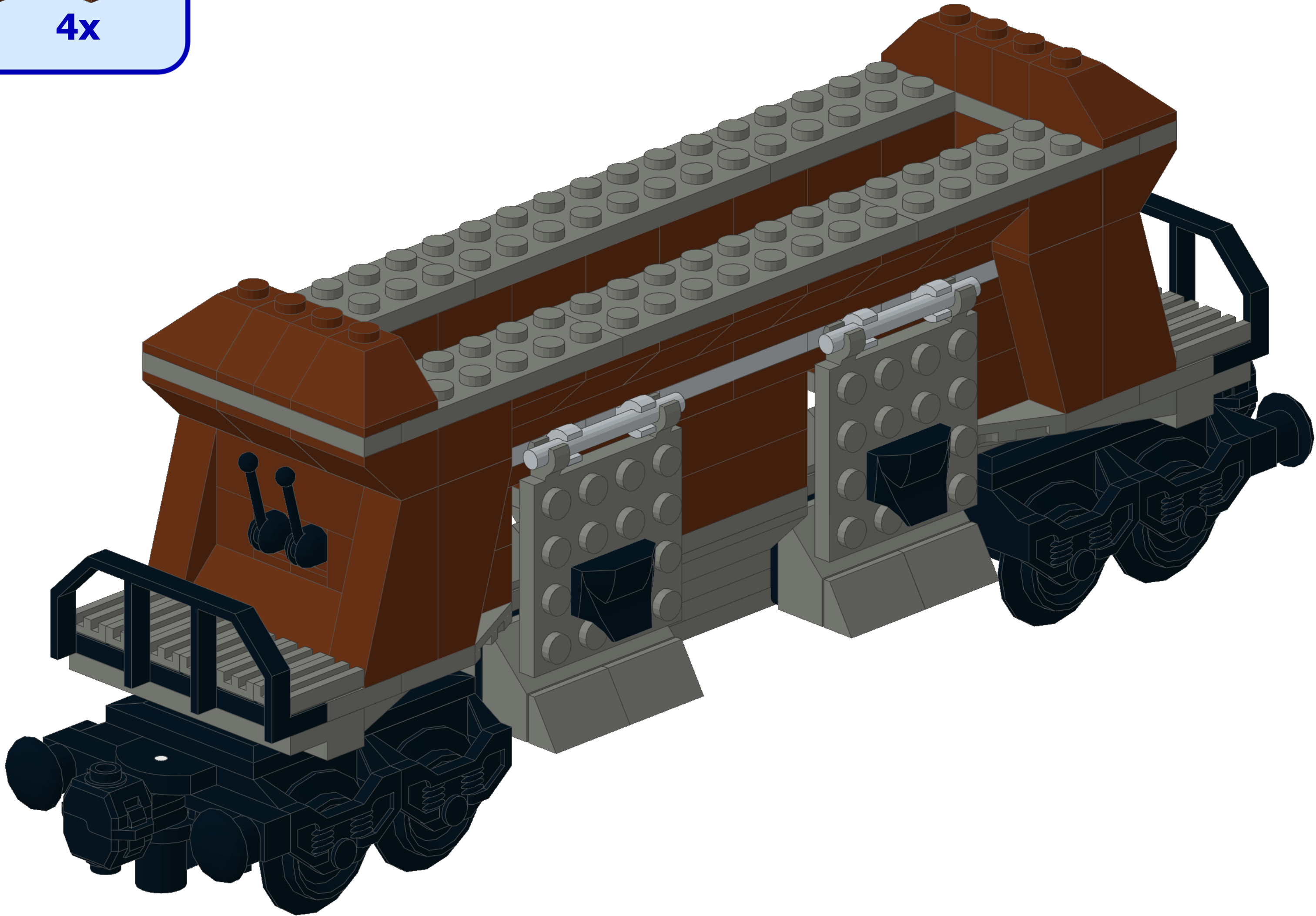
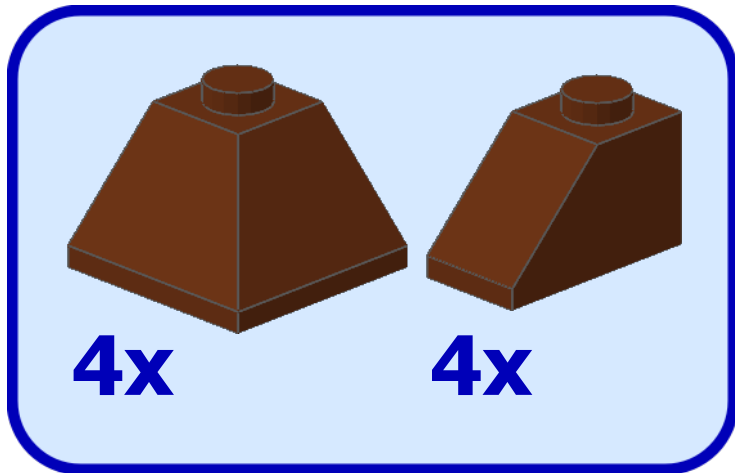


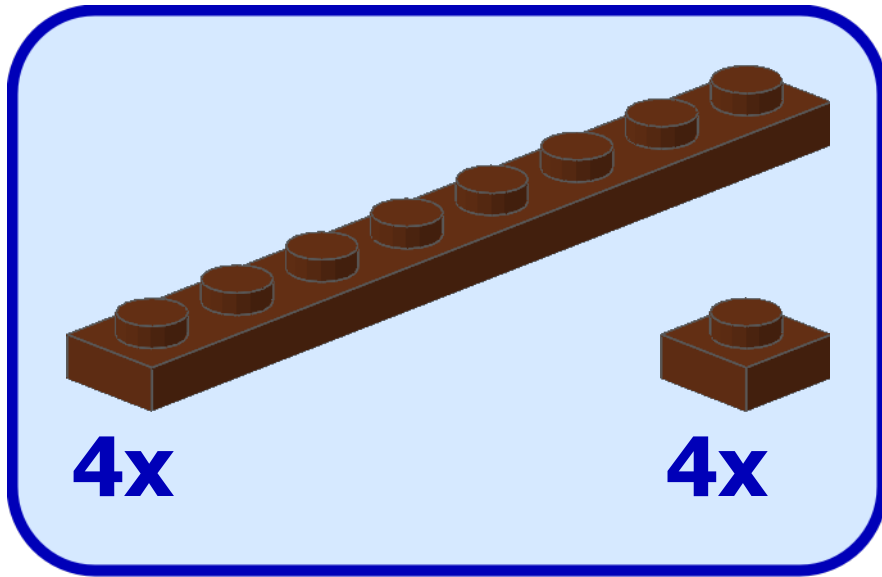
25



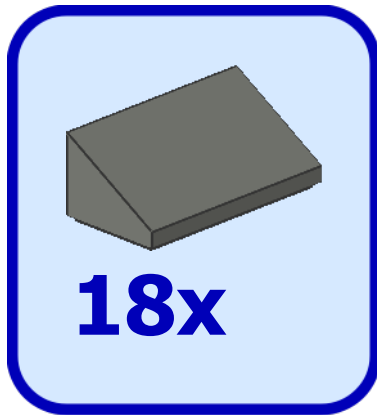




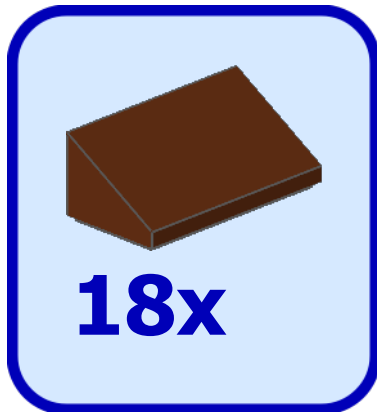


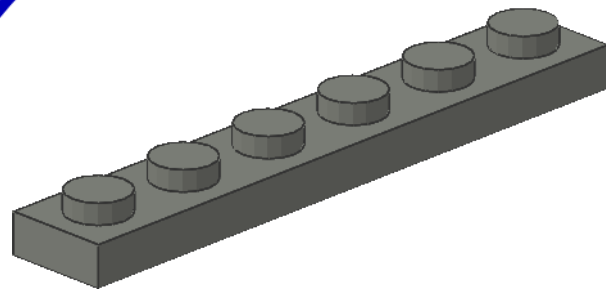


30

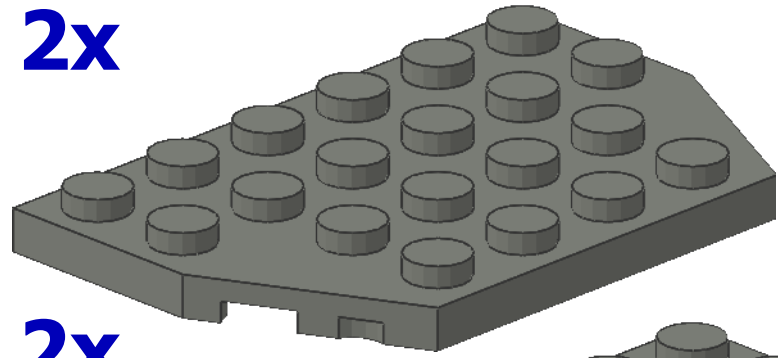


31

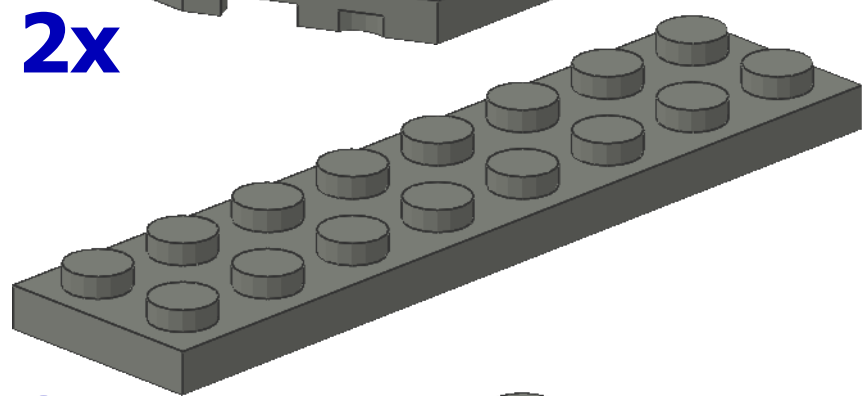




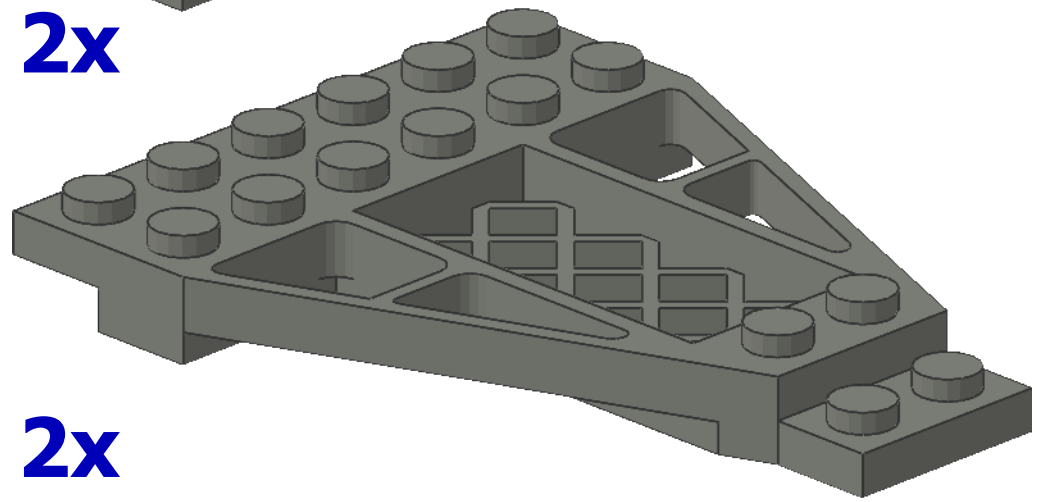
2x



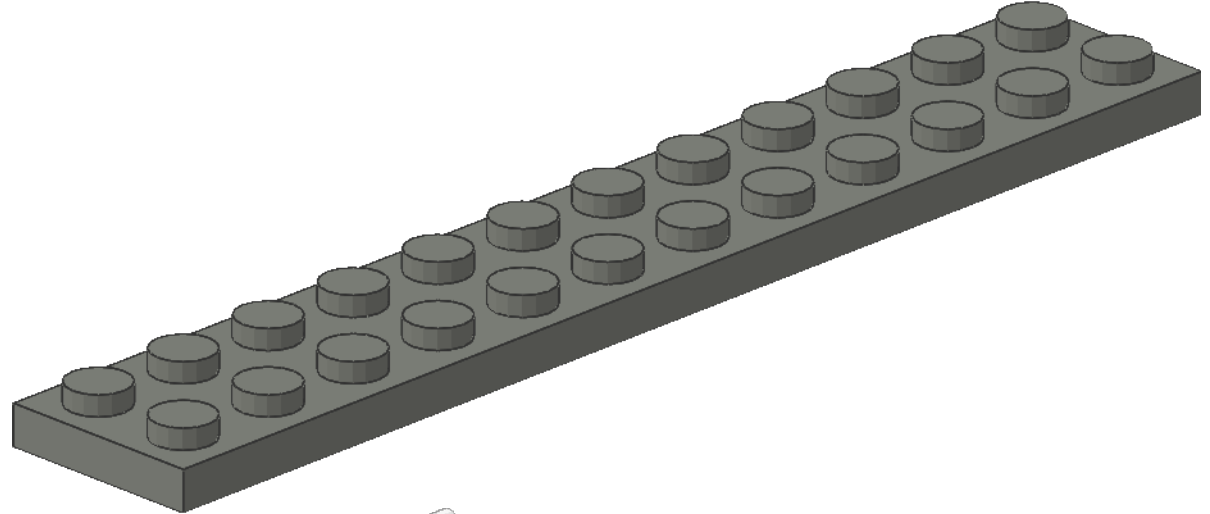
2x



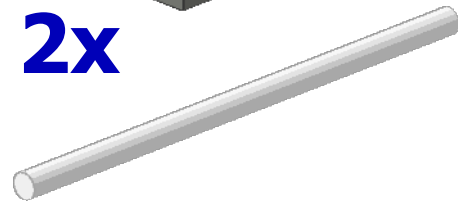
2x



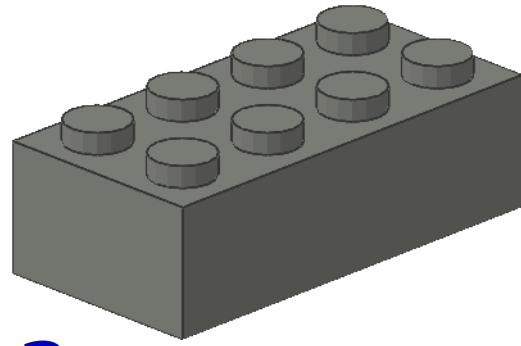
2x



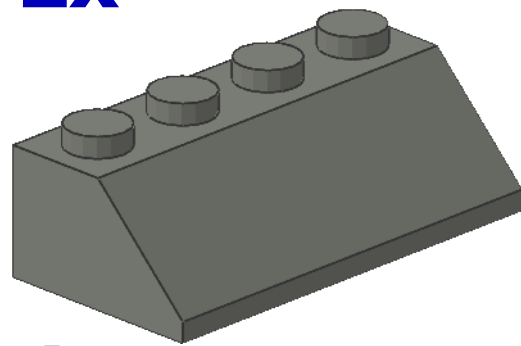
2x



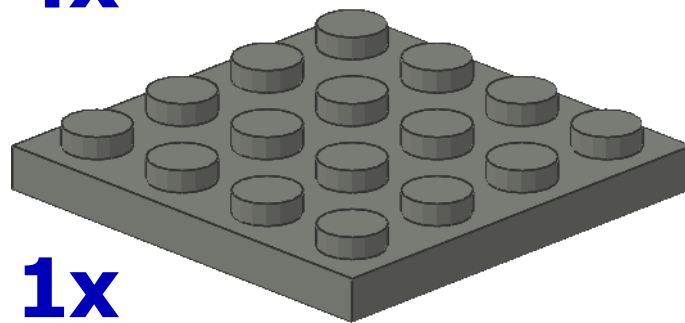
4x



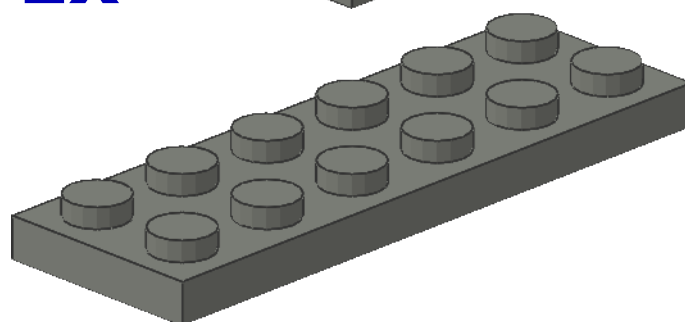
2x



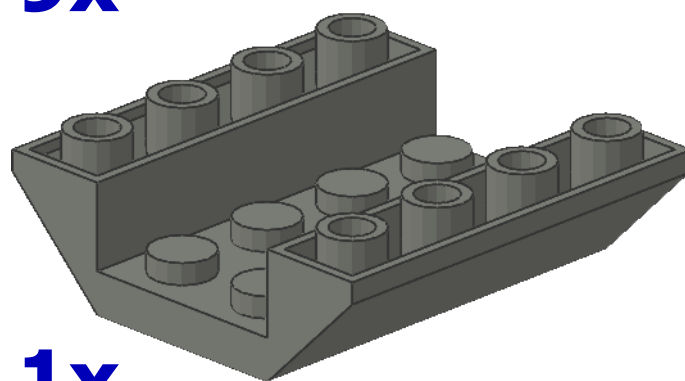
4x



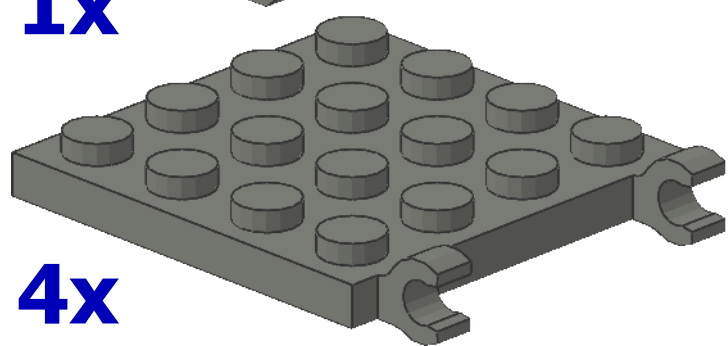
1x



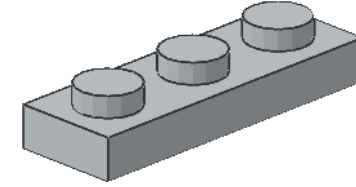
9x



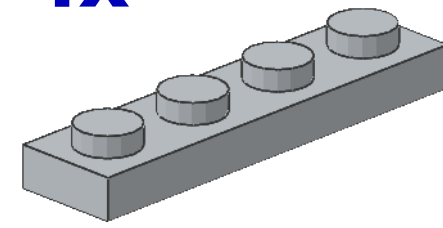
1x



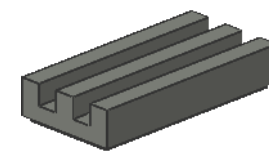
4x



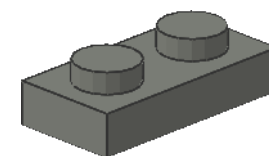
4x



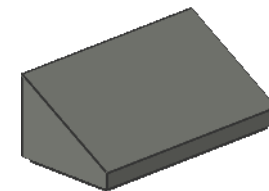
2x



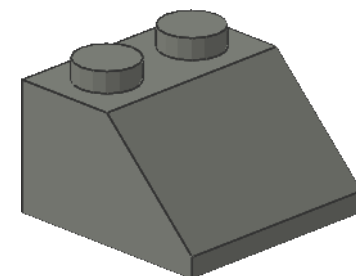
12x



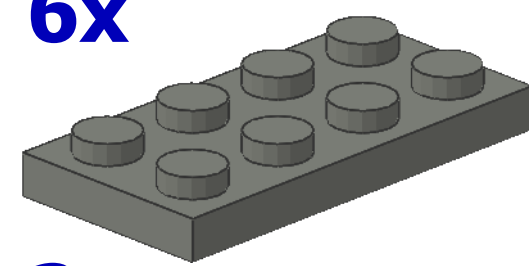
2x



38x



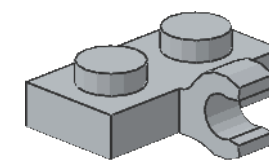
6x



2x



4x



8x

